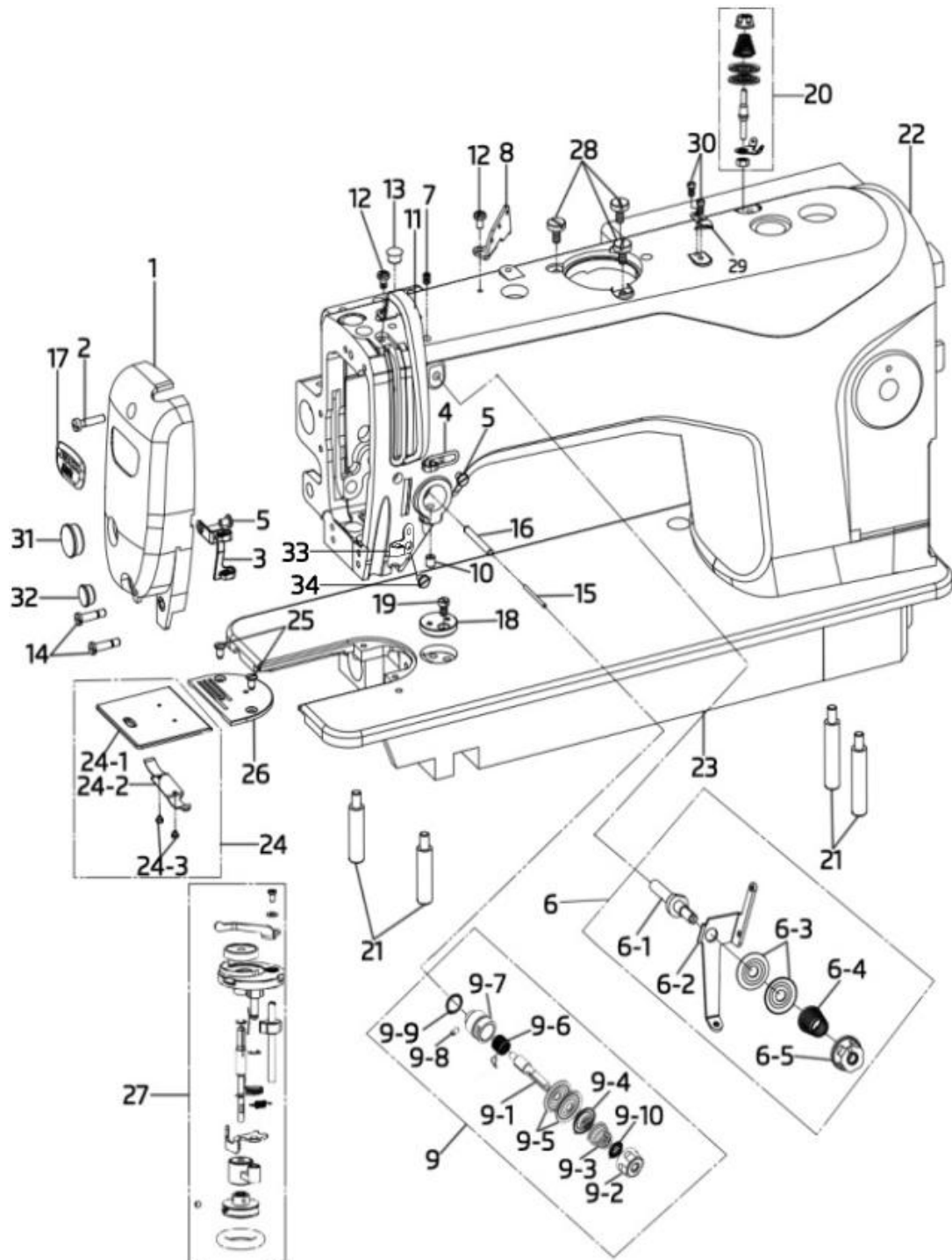


快速服务 100%

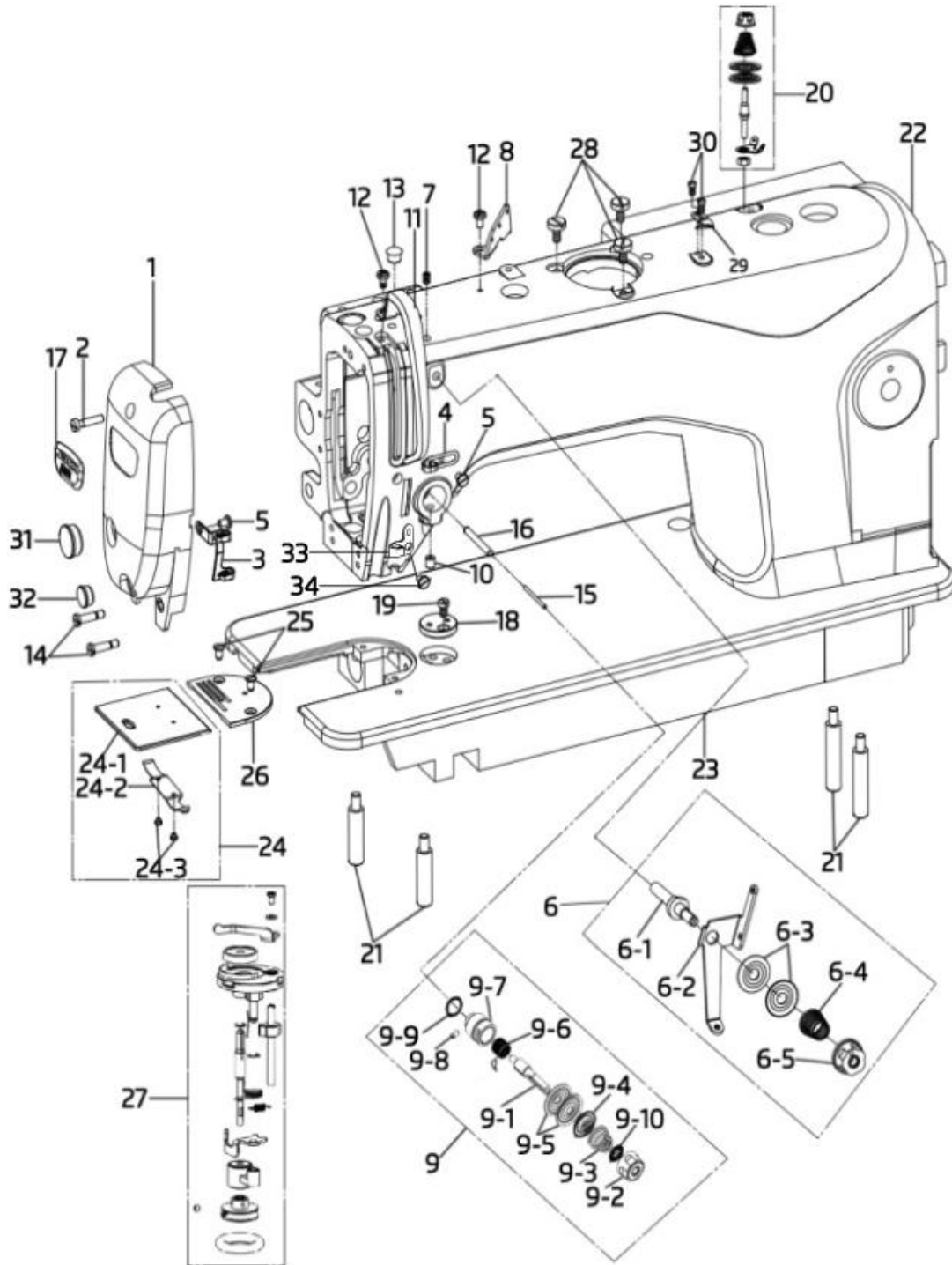
1.机壳、外装分组件/Machine frame & miscellaneous cover components



1.机壳、外装分组件/Machine frame & miscellaneous cover components

序号	公司件号 Part	名称 PartName	零件描述 Description	数量 Number		
				CZ	CZZD	CZ-12
1	304713	面板	panel	1	1	
	930000235	面板(12mm)	Panel (12mm)			1
2	201511025	面板螺钉 SM11/64"×40	Panel Screw SM11/64"×40	1	1	1
3	14713003	面板线勾	Panel thread guide	1	1	1
4	10113004	右线钩	Panel thread guide (right)	1	1	1
5	101511007	螺钉 SM11/64×40×6	Screw SM11/64×40×6	2	2	2
6	1411300400	小夹线器组件	Small thread tension assy	1	1	1
6-1	13812066	过线板	Thread tension guide plate	1	1	1
6-2	13810008	小夹线器螺柱	Thread tension bolt	1	1	1
6-3	11212004	小夹线板	Thread tension disk	2	2	2
6-4	11227001	小夹线弹簧	Thread tension spring	1	1	1
6-5	138516019	小夹线器螺母	Thread tension nut	1	1	1
7	113514002	小夹线固定螺钉	Set Screw	1	1	1
8	13512004	三孔线勾	3-hole thread guide	1	1	1
9	11471300100	夹线组件	Thread tension assy	1	1	1
9-1	1147NS30001	夹线螺钉	Thread tension Screw	1	1	1
9-2	141516013	夹线螺母	Thread tension nut	1	1	1
9-3	14227024	夹线弹簧	Thread tension spring	1	1	1
9-4	10112006	松线板	Tension releasing board	1	1	1
9-5	14112015	夹线板	Thread tension disk	2	2	2
9-6	114727001	挑线簧	Takeup spring	1	1	1
9-7	13513006	夹线调节座	Thread tension retainer	1	1	1
9-8	135515002	夹线调节座螺钉	Screw	1	1	1
9-10	10112007	夹线螺母止动板	Thread tension nut locking plate	1	1	1
9-11	001050	O 型圈	O Ring 14.5x1.5	1	1	1
10	136514002	螺钉 SM15/64×28	Screw SM15/64×28	1	1	1
11	14712018	挑线杆防护罩	Thread take-up lever cover	1	1	1
12	101511004	螺钉 SM3/16"X28 X7	Screw SM3/16"X28 X7	2	2	2
13	10122005	挑线连杆销螺孔塞	Take-up link pin screw plug	1	1	1
14	135511047	面板螺钉 SM11/64×40	Panel Screw SM11/64×40	2	2	1
15	14726002	松线钉	Thread release pin	1	1	1
16	13613002	松线棒	Thread release bar	1	1	1
17	13837002	A4-0182 商标牌	A4-0182 trademark	1	1	1
18	13812111	卷边器座	Beader pedestal	1	1	1
19	101511025	螺钉 SM11/64×40×7	Screw SM11/64×40×7	2	2	2
20	1361300800	绕线夹线器	Bobbin winder thread tension	1	1	1
21	101512001	底板支柱	Base plate pillar	4	4	4
22	100968	H5 机壳	H5 frame	1	1	1
23	100767	底板	Base plate	1	1	1
24-1	13515002	推板	Slide plate	1	1	1
24-2	13512007	推板簧	Slide plate spring	1	1	1
24-3	101511019	螺钉 SM3/32×56 L=2	Screw SM3/32×56 L=2	2	2	2
25	13515001	针板	Needle plate	1		1
	13615003	针板(12mm)	Needle plate(12mm)		1	
26	101517002	螺钉 SM11/64×40 L=5	Screw SM11/64×40 L=5	2	2	2
27	1411300600	绕线器组件	Bobbin winder assy	1	1	1
28	114511003	螺钉 3/16-28 L=10	Screw 3/16-28 L=10	3	3	3
29	11419001	切线刀	THREAD CUTTER	1	1	1
30	101511005	螺钉 SM9/64×40 L=6	SCREW SM9/64×40 L=6	2	2	2

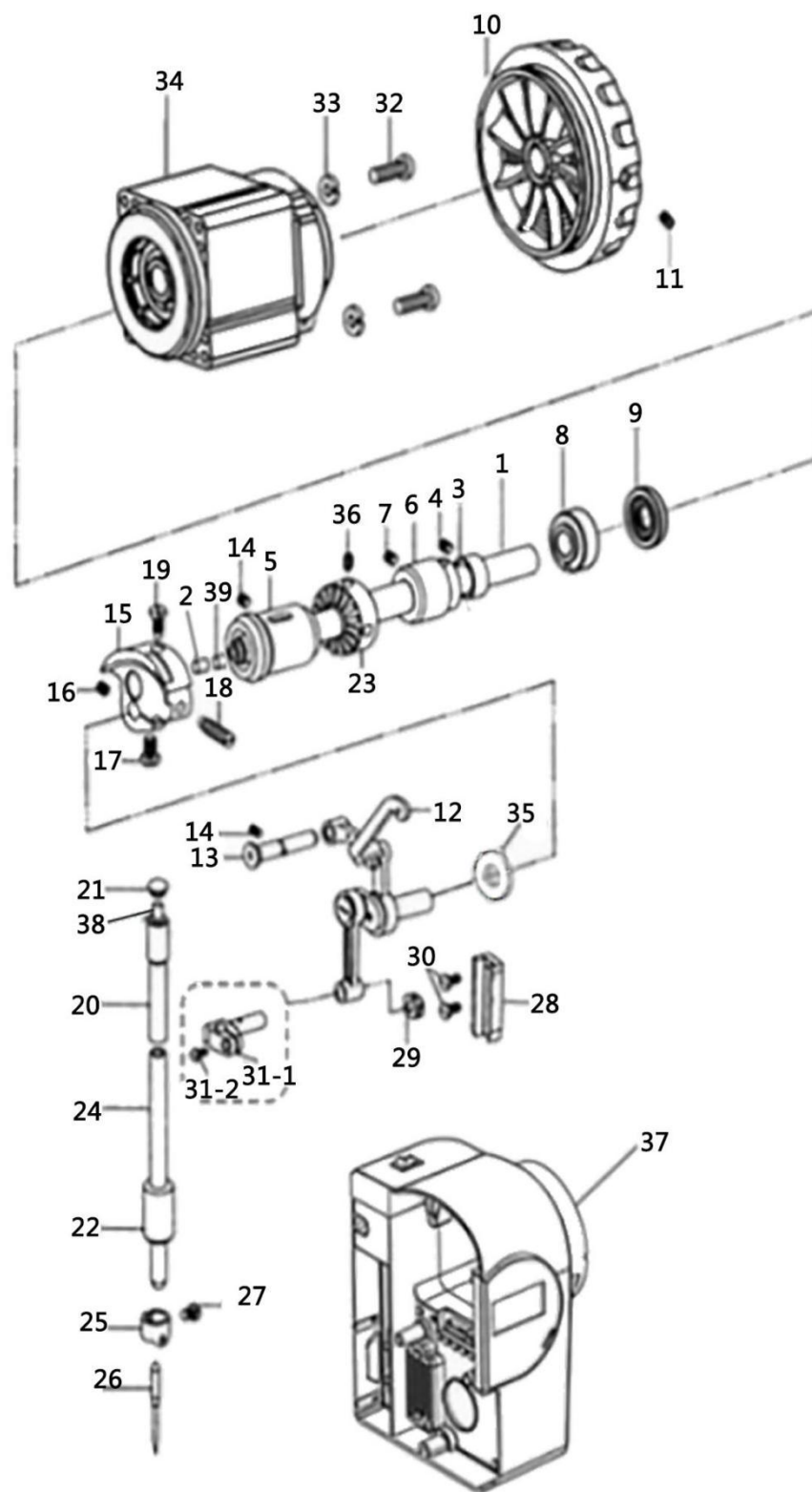
1.机壳、外装分组件/Machine frame & cover components



1.机壳、外装分组件/Machine frame & miscellaneous cover components

序号	公司件号 Part	名称 PartName	零件描述 Description	数量 Number		
				CZ	CZZD	CZ-12
31	13522001	面板橡皮塞 (φ19)	Rubber plug(φ 19)	1	1	1
32	13522002	面板橡皮塞 (φ11.8)	Rubber plug(φ 11.8)	1	1	1
33	13513010	下勾线	FRAME THERAD GUIDE	1	1	1
34	101511005	螺钉 SM9/64×40×6	Screw SM9/64×40×6	1	1	1

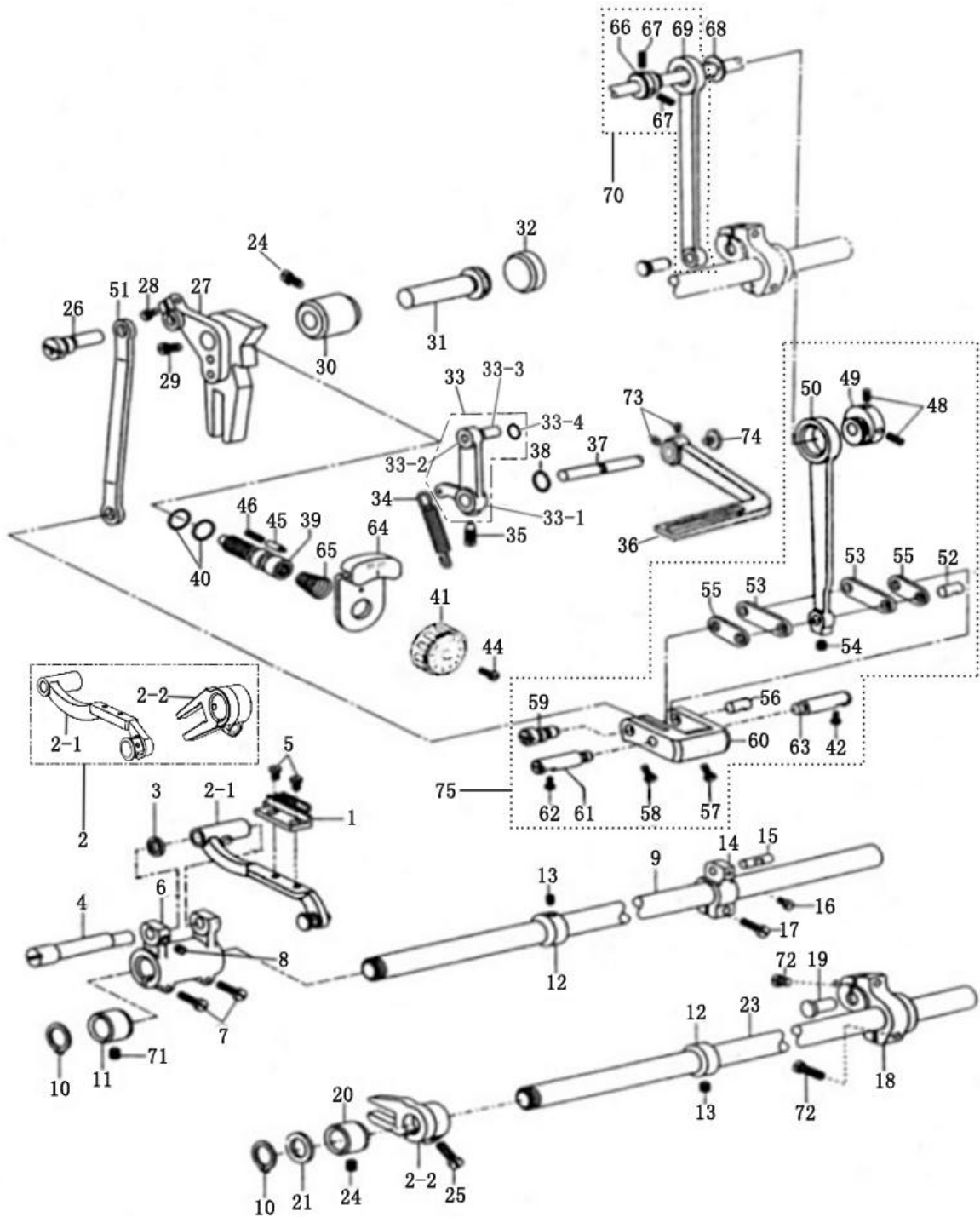
2. 上轴挑线分组件/Main shaft & thread take-up components



2. 上轴挑线分组件/Main shaft & thread take-up components

序号 NO.	公司件号 Part NO.	名称 PartName	零件描述 Description	数量 Number		
				CZ	CZZD	CZ-12
1	14702011	上轴	Main shaft	1	1	1
2	10122012	上轴橡皮塞	Rubber plug	1	1	1
3	10108003	上轴紧圈	Thrust collar asm.	1	1	1
4	101S15002	螺钉 SM1/4×40×6	Screw SM1/4×40×6	2	2	2
5	13603023	上轴前轴套	Main shaft bushing,front	1	1	1
6	13503017	上轴中轴套	Brshing, intermediate	1	1	1
7	135S15006	螺钉 SM15/64×28	Screw SM15/64×28	1	1	1
8	13603027	上轴后套	Main shaft bushing,back	1	1	1
9	13522010	上轴后轴套油封组件	Main shaft	1	1	1
10	14735002	主动轮	Driving wheel	1	1	1
11	S10009	主动轮螺钉 M6×8	Driving wheel screw M6×8	2	2	2
12	1353800200	挑线杆组件	Thread take-up asm	1	1	1
13	13502003	挑线连杆铰链销	Thread take-up crank shaft	1	1	1
14	135S15009	螺钉 SM15/64×28	Screw SM15/64×28	2	2	2
15	13504001	针杆曲柄	Counterweight	1	1	1
16	101S15007	螺钉 SM1/4×40×8	Screw SM1/4×40×8	1	1	1
17	135S12001	螺钉 SM1/4×40	Screw SM1/4×40	1	1	1
18	101S15004	螺钉 SM9/32×28×16	Screw SM9/32×28×16	1	1	1
19	135S11002	螺钉 SM9/32×28	Screw SM9/32×28	1	1	1
20	14703006	针杆上衬套	Needle bar metal,upper	1	1	1
21	10122013	针杆上衬套橡皮塞 (φ 8.5)	Rubber pluq (φ 8.5)	1	1	1
22	13503007	针杆下衬套	Needle bar metal,lower	1	1	1
23	14735001	驱动轮	BTW-DRIVING-WHEEL	1	1	1
24	13602002	针杆	Needle bar	1	1	1
25	13513011	针杆过线环	Needle bar thread guide	1	1	1
26	13517001	机针	Needle	1	1	1
27	101S11006	螺钉 SM1/8×44 L=4.5	Screw SM1/8×44 L=4.5	1	1	1
28	13609001	滑块槽	Needle bar trough	1	1	1
29	11409001	针杆接头滑块	Slide block	1	1	1
30	101S11008	螺钉 SM11/64×40×8	Screw SM11/64×40×8	2	2	2
31-1	13503002	针杆接头	Needle bar connection	1	1	1
31-2	101S11005	螺钉 SM11/64×40×8	Screw SM11/64×40×8	1	1	1
32		螺钉 M5×70	Screw M5×70	4	4	4
33	13628013	电机垫圈	Washer plate	4	4	4
34	136330300	光电伺服电机	Motor	1	1	1
35	10112003	针杆曲柄护板	Washer plate	1	1	1
36	S10035	螺钉 M5×8	Screw M5×8	2	2	2
37	1473304200	简易款电控	Simple model electric control	1	1	1
38	13523001	毛毡	Oil felt for needle bar	1	1	1
39	114723001	上轴毡塞	Oil felt for needle bar	1	1	1

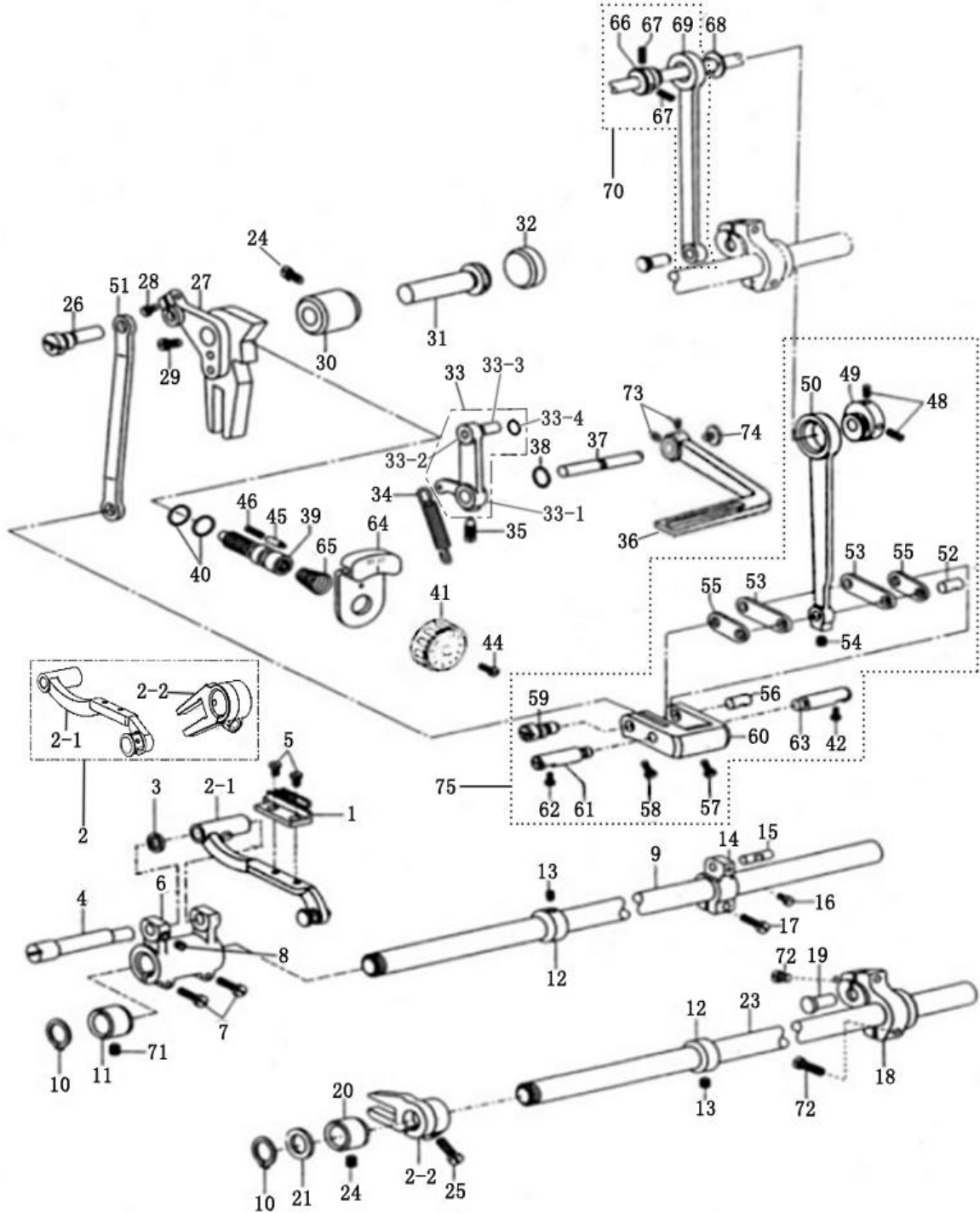
3.送料分组件/Feed mechanism components



3.送料分组件/Feed mechanism components

序号 NO.	公司件号 Part NO.	名称 PartName	零件描述 Description	数量 Number		
				CZ	CZZDZ	CZ-12
1	13514001	送布牙	Feed dog	1	1	
	13614003	送布牙 (12mm)	Feed dog (12mm)			1
2	1350700400	牙架组件(12mm)	Feed bar asm(12mm)			1
2-1	1350700300	牙架小组件	Feed bar asm	1	1	
2-2	13505004	抬牙叉	Feed forked connection	1	1	
	13505018	抬牙叉	Feed forked connection			1
3	13528004	牙架垫圈	Washer	1	1	1
4	13502005	牙架销	Feed bar shaft	1	1	1
5	101511018	螺钉 SM1/8×40 L=6	Screw SM1/8×40 L=6	2	2	2
6	13504003	牙架座	Feed rocker asm.	1	1	1
7	101511016	螺钉 SM3/16×28 L=14	Screw SM3/16×28 L=14	2	2	2
8	101511008	螺钉 SM11/64×40×8	Screw SM11/64×40×8	1	1	1
9	13602003	送布轴	Feed rocker shaft	1	1	1
10	H03001	轴用弹性挡圈 15	Retaining ring	2	2	2
11	13603024	送布轴前轴套	Bushing for feed rock	1	1	1
12	10108003	挡圈		2	2	2
13	101515002	螺钉 SM1/4×40×6	Screw SM1/4×40×6	4	4	4
14	13504004	送布曲柄 (右)	Feed rocker shaft crank asm	1	1	1
15	13526001	送布曲柄短销	Walking foot pin	1	1	1
16	101511025	螺钉 SM11/64×40×7	Screw SM11/64×40×7	1	1	1
17	409511021	螺钉 SM11/64×40×14	Screw SM11/64×40×14	1	1	1
18	13504005	抬牙右曲柄	Feed lifting rock shaft	1	1	1
19	13502009	抬牙曲柄铰链轴	Hinge pin	1	1	1
20	13603005	抬牙轴前轴套	Bushing for feed rock shaft	1	1	1
21	13528006	抬牙、送料轴前轴套垫圈	Washer	1	1	1
23	13602004	抬牙轴	Feed lifting rock shaft	2	2	2
24	135515009	螺钉 SM15/64×28	Screw SM15/64×28	2	2	2
25	409511021	螺钉 SM11/64×40×14	Screw SM11/64×40×14	1	1	1
26	13510002	针距调节连接销钉	Hinge pin	1	1	1
27	13509003	针距座	Feed regulator	1	1	
	113501001	针距座(12mm)	Feed regulator(12mm)			1
28	101511020	螺钉 SM11/64×40 L=10.5	Screw SM11/64×40 L=10.5	1	1	1
29	135511009	螺钉 SM15/64×28	Screw SM15/64×28	1	1	1
30	13503026	针距座衬套	Feed regulator bushing	1	1	1
31	13502011	针距座轴	Hinge pin for feed regulator	1	1	1
32	13622014	橡皮塞(φ 19.5)	Rubber plug(φ 19.5)	1	1	1
33	1350401400	倒缝操作杆曲柄组件	Slide block pin component	1	1	1
33-1	13504006	倒缝操作杆曲柄	Slide block pin	1	1	1
33-2	13502012	操作杆曲柄滚柱	Joystick crank roller	1	1	1
33-3	13509006	滚筒	Roller	1	1	1
33-4	13509010	垫片	Gasket	1	1	1
34	13527007	操作杆曲柄弹簧	Spring for feed crank	1	1	
	13527016	操作杆曲柄弹簧(12mm)	Spring for feed crank (12mm)			1
35	135515014	螺钉 SM15/64×28	Screw SM15/64×28	1	1	1
36	301763	倒缝操作杆	Reverse feed lever asm	1	1	1
37	13502013	倒缝操作杆短轴	Reverse feed lever shaft	1	1	1
38	001137	O 型圈 φ 6.3×1.8	O-ring φ 6.3×1.8	1	1	1
39	136530004	针距调节螺杆	Feed regulator screw bar	1	1	1
40	001046	O 型圈 φ 9.5×2.5	O-ring φ 9.5×2.5	2	2	2
41	1471100200	针距标盘组件	Dial	1	1	
	11471100200	针距标盘组件(12mm)	Dial(12mm)			1

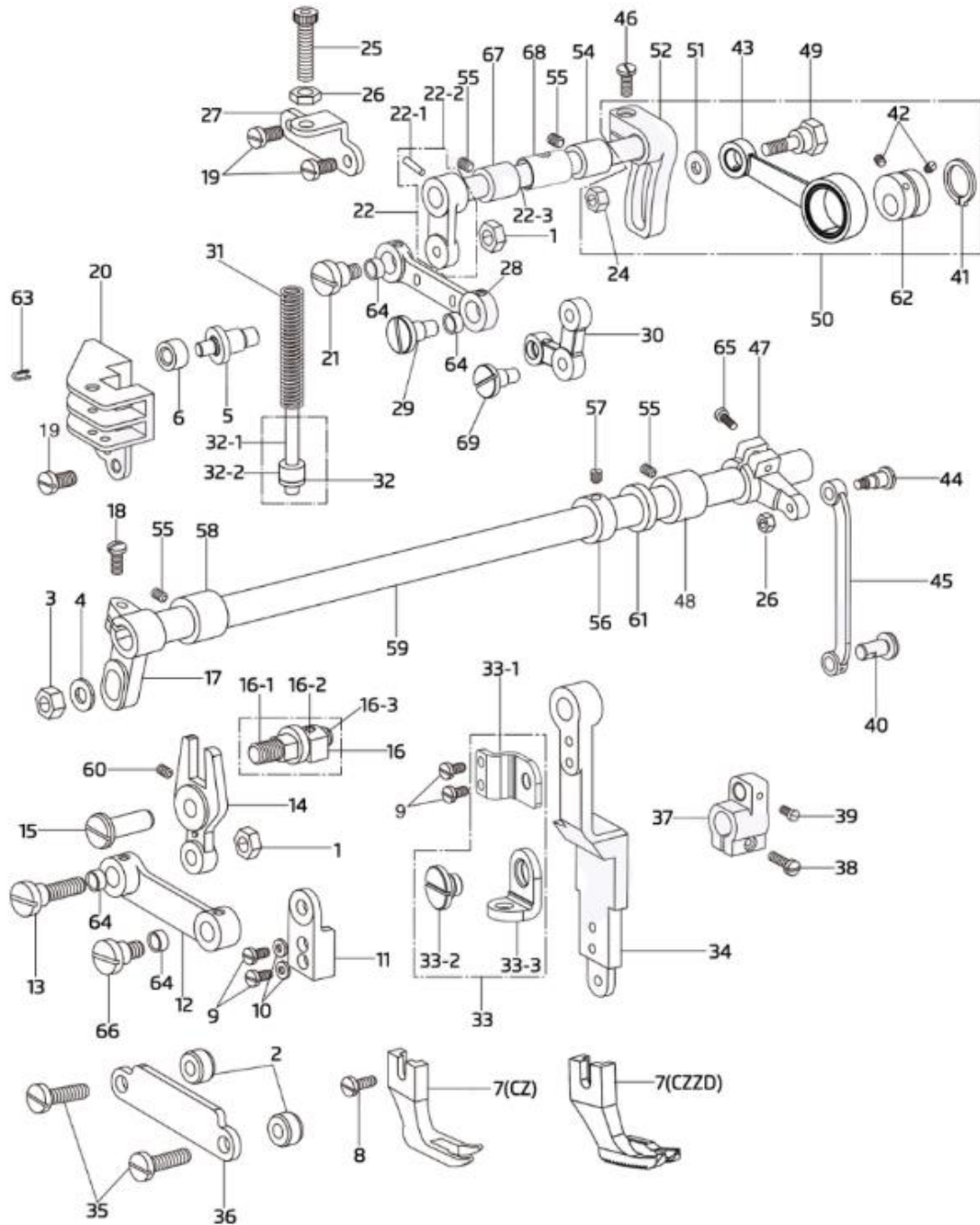
3.送料分组件/Feed mechanism components



3.送料分组件/Feed mechanism components

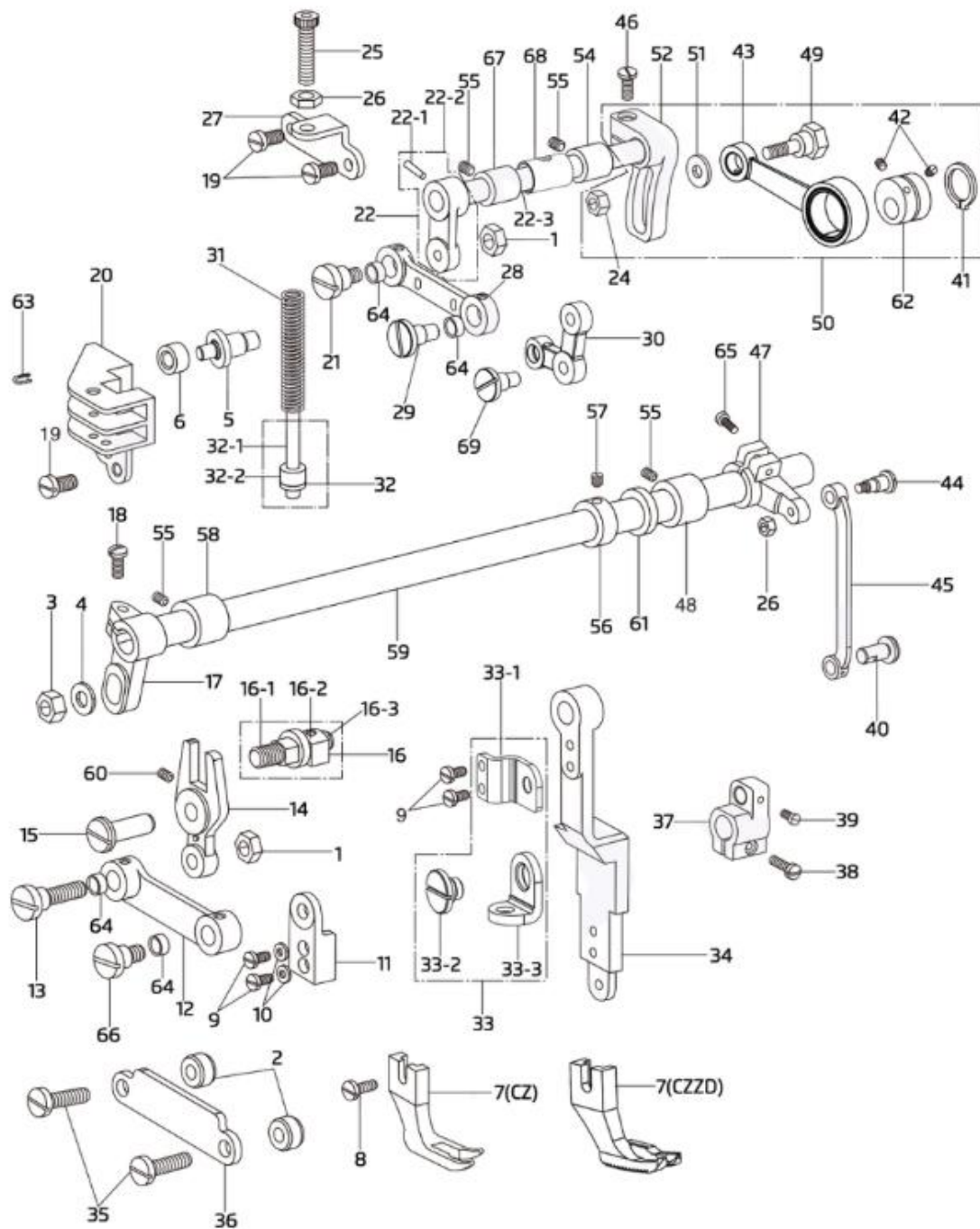
序号 NO.	公司件号 Part NO.	名称 PartName	零件描述 Description	数量 Number		
				CZ	CZZD	CZ-12
42	114S11004	螺钉 SM11/64×40×18	Screw SM 11/64×40×18	1	1	1
44	101S11022	螺钉 SM3/16×28×18	Dial screw SM3/16×28×18	1	1	1
45	11426022	止动销	Stopper pin	1	1	1
46	11427034	止动销弹簧	Spring for stopper pin	2	2	2
48	135S15007	螺钉 SM11/64×40	Screw SM11/64×40	3	3	3
49	13510003	送布凸轮	Feed drive eccentric cam.	1	1	1
50	13505005	送布连杆	Rocker shaft connecting rod	1	1	1
51	13505006	针距调节连杆	Feed regulator connecting rod	1	1	1
52	13502014	曲柄连杆长销	Walking foot link	1	1	1
53	13505007	曲柄长连杆	Walking foot pin	2	2	2
54	209S14008	螺钉 SM11/64"×40×4.5	Screw SM11/64"×40×4.5	1	1	1
55	13505008	曲柄短连杆	connecting link	2	2	2
56	13526003	曲柄连杆短销	Walking foot link	1	1	1
57	201S11012	螺钉 SM9/64X40	Screw SM9/64X40	1	1	1
58	201S11007	螺钉 SM9/64X40	Screw SM9/64X40	1	1	1
59	13502015	连杆偏心轴	Hinge pin	1	1	1
60	13504007	针距调节曲柄	Walking foot adjusting link	1	1	1
61	13502016	针距调节曲柄定位销(左)	Adjusting link fulcrum shaft	1	1	1
62	105S11019	螺钉 SM11/64"×40 L=13	Screw SM11/64"×40 L=13	1	1	1
63	13502017	针距调节曲柄定位销(右)	Adjusting link fulcrum shaft	1	1	1
64	14212068	针距按键	Feed regulator key-press	1	1	1
65	13527009	针距按键簧	Dial spring for stopper pin	1	1	1
66	13510001	拾牙凸轮	Feed drive eccentric cam.	1	1	1
67	135S15007	螺钉 SM11/64×40	Screw SM11/64×40	3	3	3
68	13528002	凸轮隔离片	Thrust collar	1	1	1
69	13505001	拾牙连杆	Connecting rod	1	1	1
70	11350500200	拾牙连杆组件	Connecting rod asm	1	1	1
71	135S15006	螺钉 SM15/64×28	Screw SM15/64×28	1	1	1
72	135S11048	螺钉 SM3/16×32	Screw SM3/16×32	2	2	2
73	135S11009	螺钉 SM15/64×28	screw SM15/64×28	2	2	2
74	135S11022	螺钉 SM3/16×28	Screw SM3/16×28	1	1	1
75	1350501500	送布连杆组件	Rocker shaft connecting rod	1	1	1

4. 上送料部件/Upper feed Parts



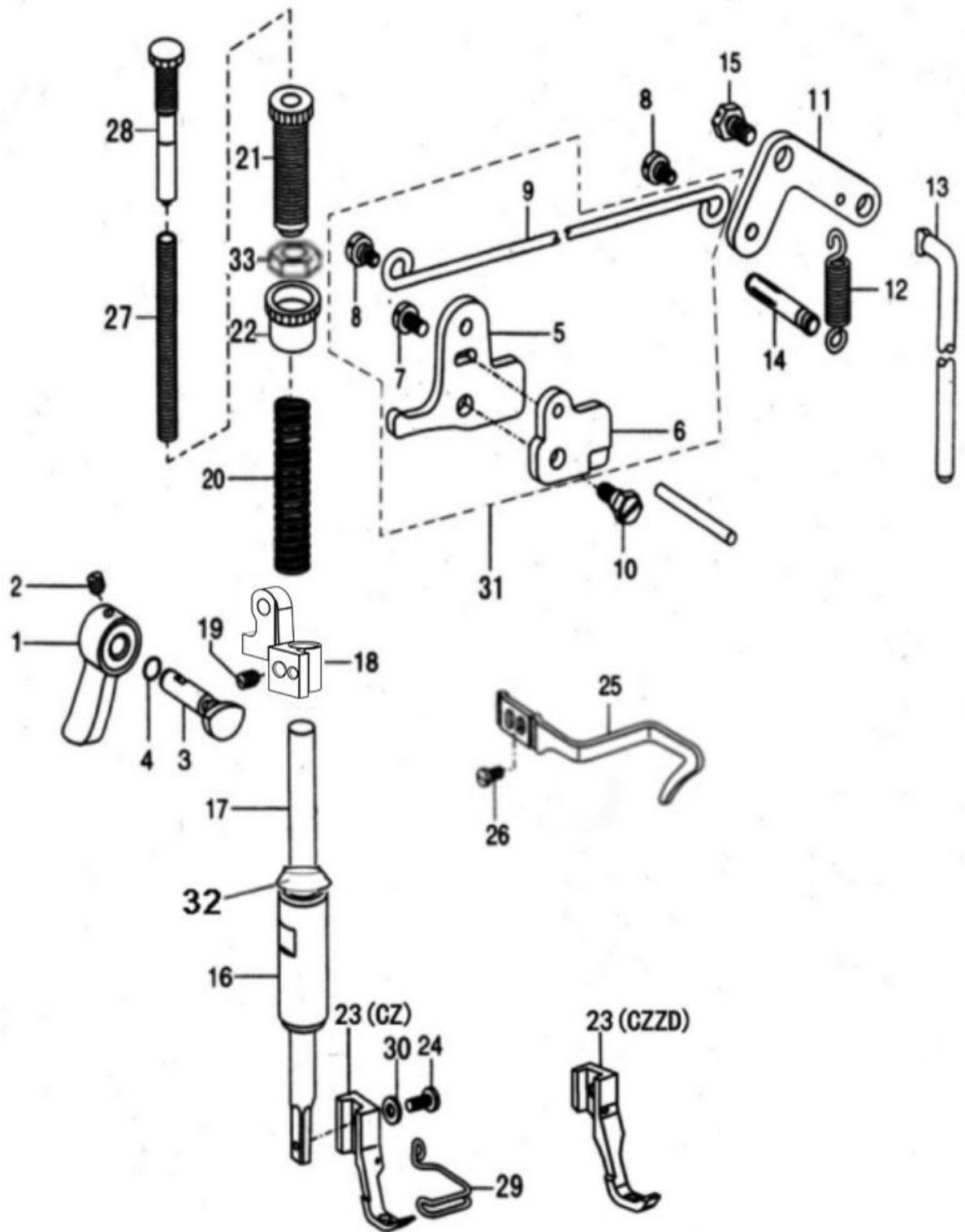
4.上送料部件/Upper feed Parts						
序号 NO.	公司件号	名称 Part Name	零件描述 Description	数量 Number		
				CZ	CZZD	CZ-12
1	135S16004	螺母 SM1/4×40	Nut SM1/4×40	2	2	2
2	13508003	压脚连杆压板垫块	Shim	2	2	2
3	135S16005	螺母 SM1/4×24	Nut SM1/4×24	1	1	1
4	11628005	压脚曲柄连接垫圈 6	Washer	1	1	1
5	135S30006	送料曲柄导柱轴	Guide shaft	1	1	1
6	13508004	提升压脚导柱轴滚柱	Needle of bearing	1	1	1
7	13516002	摆压脚	Walking foot	1		1
	13516006	摆压脚	Walking foot		1	
8	135S11030	螺钉 SM9/64×40	Screw SM9/64×40	1	1	1
9	201S11012	螺钉 SM9/64X40	Screw SM9/64X40	4	4	4
10	W02002	垫圈 4	Washer	2	2	2
11	13601015	摆压脚杆座	Holder for walking foot bar	1	1	1
12	13505028	摆压脚连杆 (加轴承)	Link of walking foot	1	1	1
13	135S20013	螺钉 SM1/4×40	Screw SM1/4×40	1	1	1
14	13505030	摆压脚叉形杆 (加轴承)	Fork lever	1	1	1
15	13526006	摆压脚叉形杆销	Pin	1	1	1
16	1420900400	摆动轴左曲柄调节柱组件	Crank shaft complete asm	1	1	1
16-1	142S30011	摆动轴左曲柄调节柱	Crank shaft complete	1	1	1
16-2	14209004	曲柄调节柱滑块	Slide block	1	1	1
16-3	H05029	开口挡圈	Split ring	1	1	1
17	13504020	压脚摆动前曲柄	Presser swing shaft	1	1	1
18	402S13011	螺钉 SM15/64×28×18	Screw SM15/64×28×18	1	1	1
19	101S11008	螺钉 SM11/64×40×8	Screw SM11/64×40×8	4	4	4
20	13509004	提升压脚导位板	Lifting presser plate	1	1	1
21	135S20012	螺钉 SM1/4×40	Screw SM1/4×40	1	1	1
22	1350402600	压脚升降前曲柄组件	Presser lifting crank	1	1	1
22-1	113602001	压脚升降轴	Presser lifting crank	1	1	1
22-2	13526007	圆锥销	Taper pin	1	1	1
22-3	13504009	压脚升降前曲柄	Pressure foot lifting shaft	1	1	1
24	N02001	六角螺母 M6X0.75	Hex Nut M6X0.75	1	1	1
25	135S30007	螺钉 SM9/32×28	Screw SM9/32×28	1	1	1
26	135S16006	螺母 SM9/32×28	nut SM9/32×28	2	2	2
27	13512018	摆压脚调压螺钉架	Lifting presser bracket for spring	1	1	1
28	13505027	压脚送料曲柄连杆 (加轴承)	Presser feed crank link	1	1	1
29	1147N520001	螺钉 SM1/4×40×7	Screw SM1/4×40×7	1	1	1
30	114704001	压脚送料曲柄 (加轴承)	Presser feed crank	1	1	1
31	14727013	摆压脚调压杆弹簧	Lifting presser spring	1	1	1
32	1350202100	调压杆弹簧导柱	Presser spring guide	1	1	1
32-1	13502026	调压杆弹簧导柱杆	Presser spring guide rod	1	1	1
32-2	13502027	调压杆弹簧导柱套	Presser spring guide bushing	1	1	1
33	1351202000	提升压脚导柱架组件	Lifting presser guide plate assy	1	1	1
33-1	13501005	提升压脚导柱定位板	Lifting presser guide plate	1	1	1
33-2	13512020	提升压脚导柱架	Lifting presser guide plate	1	1	1
33-3	135S11036	螺钉 SM1/4×40×3	Screw SM1/4×40×3	1	1	1
34	13501006	摆压脚杆	Presser rod guide	1	1	1
35	116S11005	螺钉 SM11/64×40×13	Screw SM11/64×40×13	2	2	2
36	13512019	提升压脚连接压板	Lifting presser sway crank guide pin	1	1	1
37	13504011	送布轴曲柄 (中)	Feed rocker shaft crank middle	1	1	1
38	101S11025	螺钉 SM11/64×40×7	Screw SM11/64×40×7	1	1	1
39	116S11005	螺钉 SM11/64×40×13	Screw SM11/64×40×13	1	1	1
40	135S20004	大连杆曲柄连接销	pin	1	1	1

4.上送料部件/Upper feed Parts



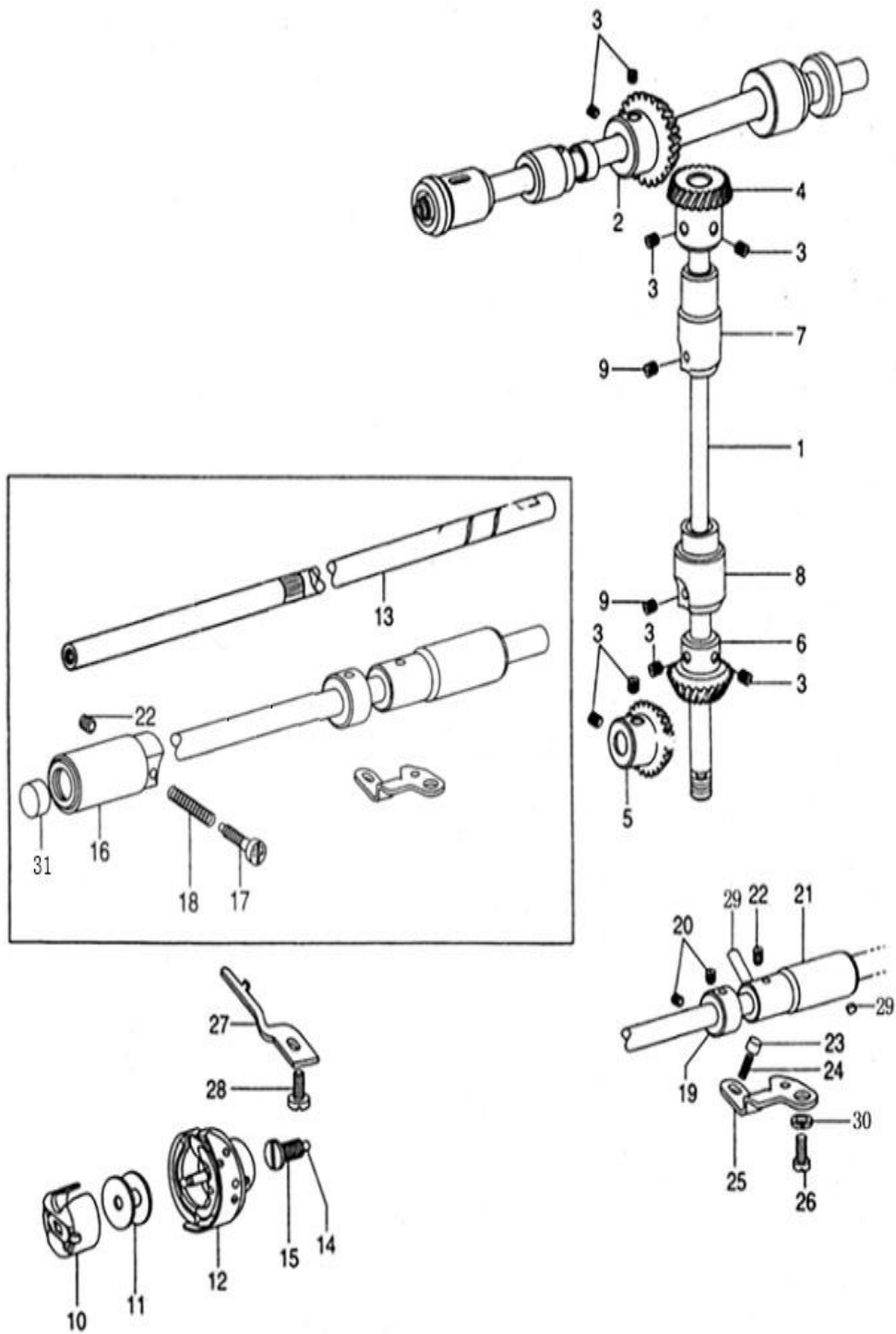
4.上送料部件/Upper feed Parts						
序号 NO.	公司件号 Part NO.	名称 Part Name	零件描述 Description	数量 Number		
				CZ	CZZD	CZ-12
41	H03061	轴用弹性挡圈 24	Retaining ring 24	1		1
		轴用弹性挡圈 26	Retaining ring 26		1	
42	101S15007	螺钉	Screw	2	2	2
43	11470500300	连杆小组件	Connecting rod widget	1		1
	11470500800	连杆小组件(4.5mm)	Connecting rod widget(4.5mm)		1	
44	135S20005	压脚摆动后曲柄连杆螺钉	Screw	1	1	1
45	13505014	摆压脚大连杆	Presser swing crank(right)rod	1	1	1
46	135S11035	螺钉 SM1/4×24	Screw SM1/4×24	1	1	1
47	13504023	压脚摆动后曲柄	Presser swing crank(right)	1	1	1
48	13503014	压脚摆动轴中轴套	Presser swing middle shaft bushing	1	1	1
49	135S20006	螺钉 M6×0.75	Screw M6×0.75	1	1	1
50	11470500200	连杆组件	Connecting rod assy	1		1
	11470500700	连杆组件(4.5mm)	Connecting rod(4.5mm)		1	
51	13528008	垫圈	Washer	1	1	1
52	13504013	偏心连杆调节曲柄	Presser lifting shaft	1	1	1
54	13603014	摆压脚提升轴后套	Presser lifting shaft back bushing	1	1	1
55	135S15008	螺钉 SM15/64×28×6	Screw SM15/64×28×6	3	3	3
56	13508009	紧圈	Shaft washer	1	1	1
57	135S15004	螺钉 SM1/4×40×4	Screw SM1/4×40×4	2	2	2
58	13508008	压脚摆动轴前轴套	Presser swing shaft front bushing	1	1	1
59	13502023	压脚摆动轴	Presser swing shaft	1	1	1
60	101S11001	螺钉 SM3/16"×28 L=9	Screw SM3/16"×28 L=9	1	1	1
61	11472200200	摆动轴后套油封	Oil seal	1	1	1
62	114710001	压脚升降偏心轮	Eccentric wheel	1		1
	114710003	压脚升降偏心轮(4.5mm)	Eccentric wheel(4.5mm)		1	
63	P03035	弹性圆柱销 3X8	Spring round pin3X8	2	2	2
64	10124001	滚针轴承	Needle bearing	4	4	4
65	402S13011	螺钉 SM15/64×28×18	Screw SM15/64×28×18	1	1	1
66	135S20014	螺钉 SM1/4×40	Screw SM1/4×40	1	1	1
67	13603013	摆压脚提升轴前套	Presser lifting shaft bushing	1	1	1
68	13603028	摆压脚提升中轴套	Presser lifting shaft bushing	1	1	1
69	1147NS20002	螺钉 SM1/4×40	Screw SM1/4×40	1	1	1

5.压脚部件/Presser Foot



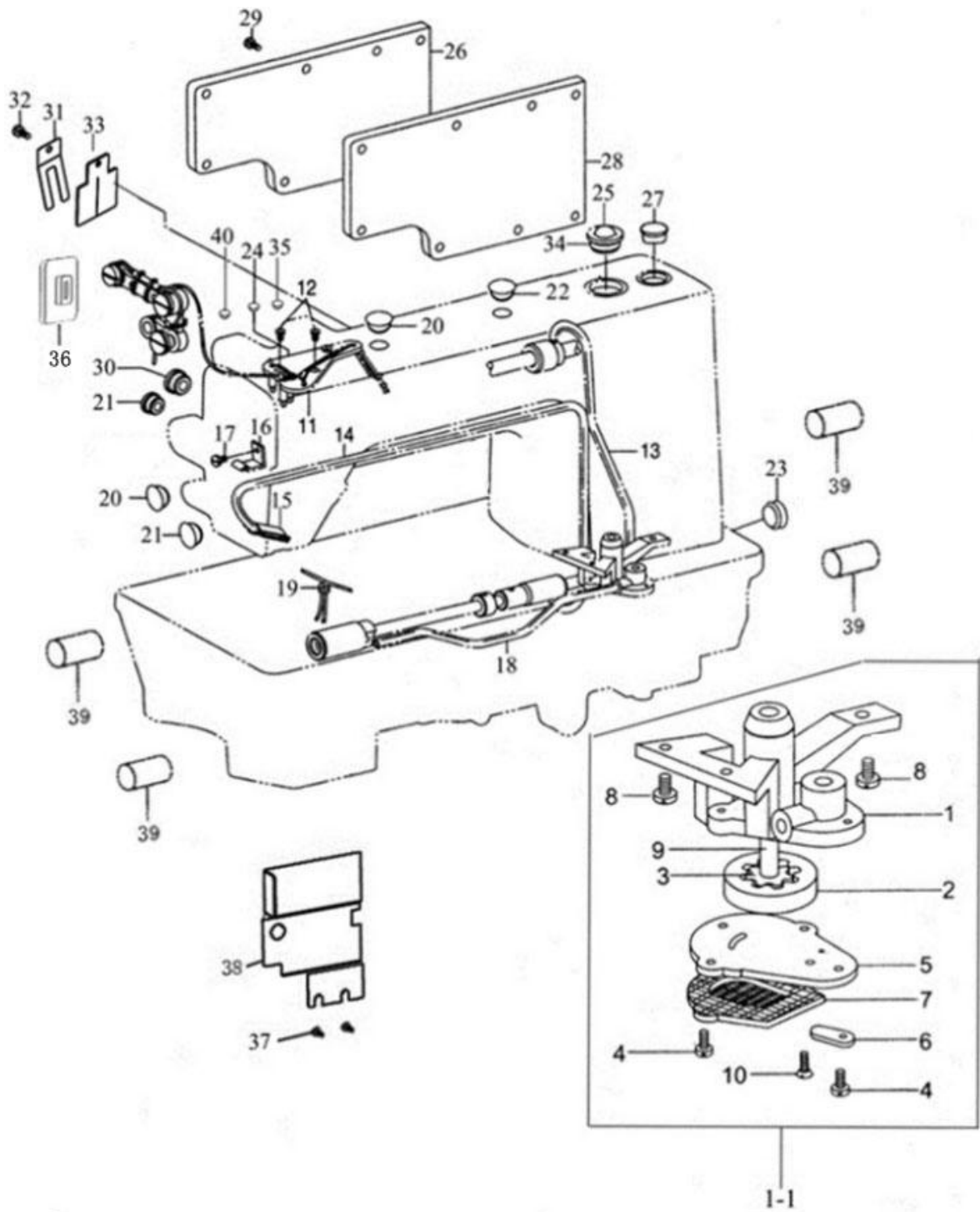
5.压脚部件/Presser Foot						
序号 NO.	公司件号 Part NO.	名称 Part Name	零件描述 Description	数量 Number		
				CZ	CZZD	CZ-12
1	14711005	压脚扳手	Presser foot wrench	1	1	1
2	101S11008	螺钉 SM11/64×40×8	screw SM11/64×40×8	1	1	1
3	13510004	压紧杆提升凸轮	Presser bar lifting cam	1	1	1
4	001009	O 型圈 4.5X1.8	O-ring 4.5X1.8	1	1	1
5	13512013	膝腔提升杠杆 (左)	Knee lifter lever (left)	1	1	1
6	13510005	松线凸轮	Tension releasing cam	1	1	1
7	135S11026	螺钉 SM11/64×40	Screw SM11/64×40	1	1	1
8	135S11027	螺钉 SM3/16×28	screw SM3/16×28	1	1	1
9	13512014	膝腔提升拉杆	Knee lifter rod	1	1	1
10	135S11028	螺钉 SM15/64×28	Screw SM15/64×28	1	1	1
11	13512015	膝腔提升杠杆 (右)	Knee lifter lever (right)	1	1	1
12	13527010	膝腔提升杠杆 (右) 弹簧	Presser spring	1	1	1
13	13512016	膝腔提升杠杆	Knee lifter lever	1	1	1
14	13526005	弹簧销	Pin for spring	1	1	1
15	135S12002	螺钉 SM15/64×28	Screw SM15/64×28	1	1	1
16	13503013	压紧杆轴套	Presser bar bushing	1	1	1
17	13502019	压紧杆	Presser bar	1	1	1
18	114709001	压紧杆导架 (加轴承)	Presser bar lifting bracket			1
19	135S15003	螺钉 SM15/64×28	Screw SM15/64×28	1	1	1
20	14727011	压紧杆弹簧	Presser spring	1	1	1
21	135S30004	螺钉 M15×1	screw M15×1	1	1	1
22	135S16003	螺母 M15×1	Nut M15×1	1	1	1
23	13516001	小压脚	Presser foot complete	1		1
	13516005	小压脚	Presser foot complete		1	
24	101S11009	螺钉 SM9/64×40×10.5	Screw SM9/64×40×10.5	1	1	1
25	13513012	大线勾	thread guide	1	1	1
26	101S11008	螺钉 SM11/64×40×8	Screw SM11/64×40×8	1	1	1
27	14727012	辅助调压弹簧	Presser spring	1	1	1
28	135S30005	螺钉 SM5/16×28	Screw SM5/16×28	1	1	1
29	13512017	防护勾	Defend hook	1	1	1
30	13528007	小压脚螺钉垫片	Washer	1	1	1
31	1351201200	膝腔提升杠杆 (左) 组件	Knee lifter lever (left)assy	1	1	1
32	30122022	压脚轴碟形密封圈	Knee lifter lever (left)assy	1	1	1
33	1147NS16001	六角螺母 SM5/16×28	Hex nut SM5/16×28	1	1	1

6. 旋梭部件/Hook components



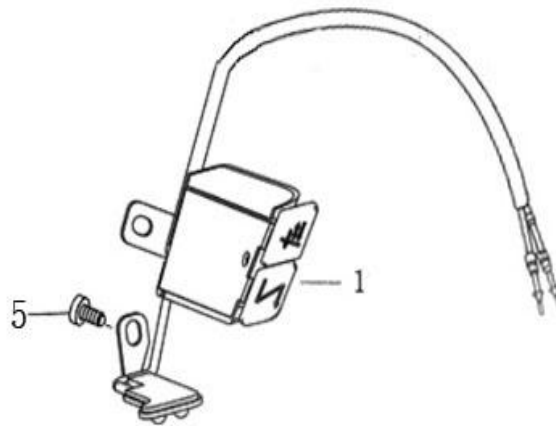
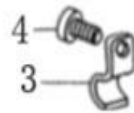
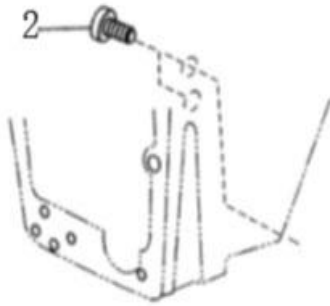
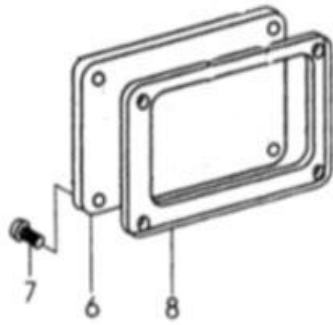
6.旋梭部件/Hook components						
序号 NO.	公司件号 Part NO.	名称 Part Name	零件描述 Description	数量 Number		
				CZ	CZZD	CZ-12
1	13502002	竖轴	Upring shaft	1	1	1
2	13525001	上轴伞齿轮	Gear asm.	1	1	1
3	101s15007	螺钉 SM1/4×40×8	Screw SM1/4×40×8	8	8	8
4	13525002	竖轴伞齿轮(上)	Gear asm.	1	1	1
5	13525003	下轴伞齿轮	Pinion asm.	1	1	1
6	13525004	竖轴伞齿轮(下)	Gear asm.	1	1	1
7	13503018	竖轴轴套(上)	Bushing, upper	1	1	1
8	13503019	竖轴下轴套	Upring shaft bushing,ower	1	1	1
9	135S15008	螺钉 SM15/64×28	Screw SM15/64×28	2	2	2
10	10818502	梭壳	Hook asm	1	1	1
11	10818501	梭芯	Bobbin	1	1	1
12	10818001	旋梭	Hook asm	1	1	1
13	13502007	下轴	Hook driving shaft	1	1	1
14	10123003	下轴滤油塞	Oil wick	1	1	1
15	135S20007	螺钉 SM3/16×32	Screw SM3/16×32	1	1	1
16	13503009	下轴前轴套	Bushing, front	1	1	1
17	135S20008	螺钉 SM15/64×28	Screw SM15/64×28	1	1	1
18	13527005	油量调节弹簧	Spring	1	1	1
19	10108002	下轴挡圈	Thrust collar asm.	1	1	1
20	101S11012	螺钉 SM11/64×40×4.8	Screw SM11/64×40×4.8	2	2	2
21	13603025	下轴后轴套	Bushing, rear	1	1	1
22	135S15009	螺钉 SM15/64×28	Screw SM15/64×28	2	2	2
23	13502008	柱塞	Plunger	1	1	1
24	13527006	柱塞弹簧	Plunger spring	1	1	1
25	13512009	档板	Guide plate	1	1	1
26	135S11019	螺钉 SM15/64×28	Screw SM15/64×28	1	1	1
27	13612005	旋梭定位勾	Rotating hook positioner	1	1	1
28	101S11011	螺钉 SM11/64×40×9.5	Screw SM11/64×40×9.5	1	1	1
29	13521001	下轴轴套油管	Oil pipe for hook shaft bushing	1	1	1
30	W02004	档板螺钉弹簧垫圈	Washer	1	1	1
31	10122015	下轴油封	Plunger	1	1	1

7.油泵部件/Oil pump and Lubrication mechanism



7.油泵部件/Oil pump and Lubrication mechanism						
序号 NO	公司件号 Part NO	名称 Part Name	零件描述 Description	数量 Number		
				CZ	CZZ	CZ-1
1-1	1352000200	油泵组件	Oil pump asm	1	1	1
1	13520001	油泵体	Oil pump	1	1	1
2	13525005	油泵大齿轮	Big gear for oil pump	1	1	1
3	13525006	油泵小齿轮	Small gear for oil pump	1	1	1
4	135S11037	螺钉 M3×10	Screw M3×10	3	3	3
5	13512021	油泵体盖板	Cover for oil pump	1	1	1
6	13512022	油泵调节板	Adjusting plate for oil pump	1	1	1
7	13512024	油泵滤网	Filter complete	1	1	1
8	105S11019	螺钉 SM11/64×40×13	Screw SM11/64×40×13	3	3	3
9	114S11004	螺钉 SM11/64×40×18	Screw SM11/64×40×18	1	1	1
10	13502024	油泵体短轴	Shaft for oil pump	2	2	2
11	S02032	油泵体盖板螺钉 M3×6	Screw M3×6	1	1	1
12	101S11010	螺钉 SM9/64×40×11	Screw SM9/64×40×11	2	2	2
13	1352100700	上轴油管组件	Oil pipe complete for upper	1	1	1
14	12921002	回油管 φ3Xφ4	Oil return pipe	1	1	1
15	13523003	回油管滤油毡	Oil felt	1	1	1
16	13512025	回油管夹	Pipe return pipe clamp	1	1	1
17	201S11014	螺钉 SM11/64X40	Screw SM11/64X40	1	1	1
18	1362100100	下轴油管组件	Oil pipe for arm shaft	1	1	1
18-1	13621001	下轴油管	Oil pipe for shaft	1	1	1
18-2	13636001	下轴油管接头	Hose connector	1	1	1
19	10423005	油线 2.5x260/2.5x290	Oil wick	1	1	1
20	13522001	面板橡皮塞 (φ19)	Rubber plug(φ19)	1	1	1
21	13522002	面板橡皮塞 (φ11.8)	Rubber plug(φ11.8)	2	2	2
22	13522003	橡皮塞 (φ8.8)	Rubber plug φ8.8	2	2	2
23	13522004	橡皮塞 (φ27)	Rubber plug φ27	1	1	1
24	13522005	橡皮塞 (φ5.7)	Rubber plug φ5.7	2	2	2
25	10111004	油窗	Oil sight window	1	1	1
26	304715	后盖板	Side plate	1	1	1
27	13522008	橡皮塞 (φ25.5)	Rubber plug φ25.5	1	1	1
28	14722006	后盖板密封垫片	Gasket	1	1	1
29	101S11001	螺钉 SM3/16X28×9	Screw SM3/16X28×9	8	8	8
30	12922001	橡皮塞	Rubber plug φ12.5	1	1	1
31	305102	小挡油板	Keep off plate	1	1	1
32	101S11004	螺钉 SM3/16~X28 X7	Screw SM3/16~X28 X7	1	1	1
33	14722011	小挡油板羊毛毡	Gasket	1	1	1
34	10122019	油窗 O 型圈	O-ring	1	1	1
35	14022013	A4S-0754 孔塞 8.5	Rubber plug φ8.5	1	1	1
36	13522018	大连杆橡胶垫	Rubber gasket	1	1	1
37	112S11014	螺钉 SM11/64×40×5.3	Screw SM11/64×40×5.3	2	2	2
38	13612023	挡油板	Keep off plate	1	1	1
39	13523005	羊毛块	Oil felt	4	4	4
40	10122005	挑线连杆销螺孔塞	Take-up link pin screw plug	2	2	2

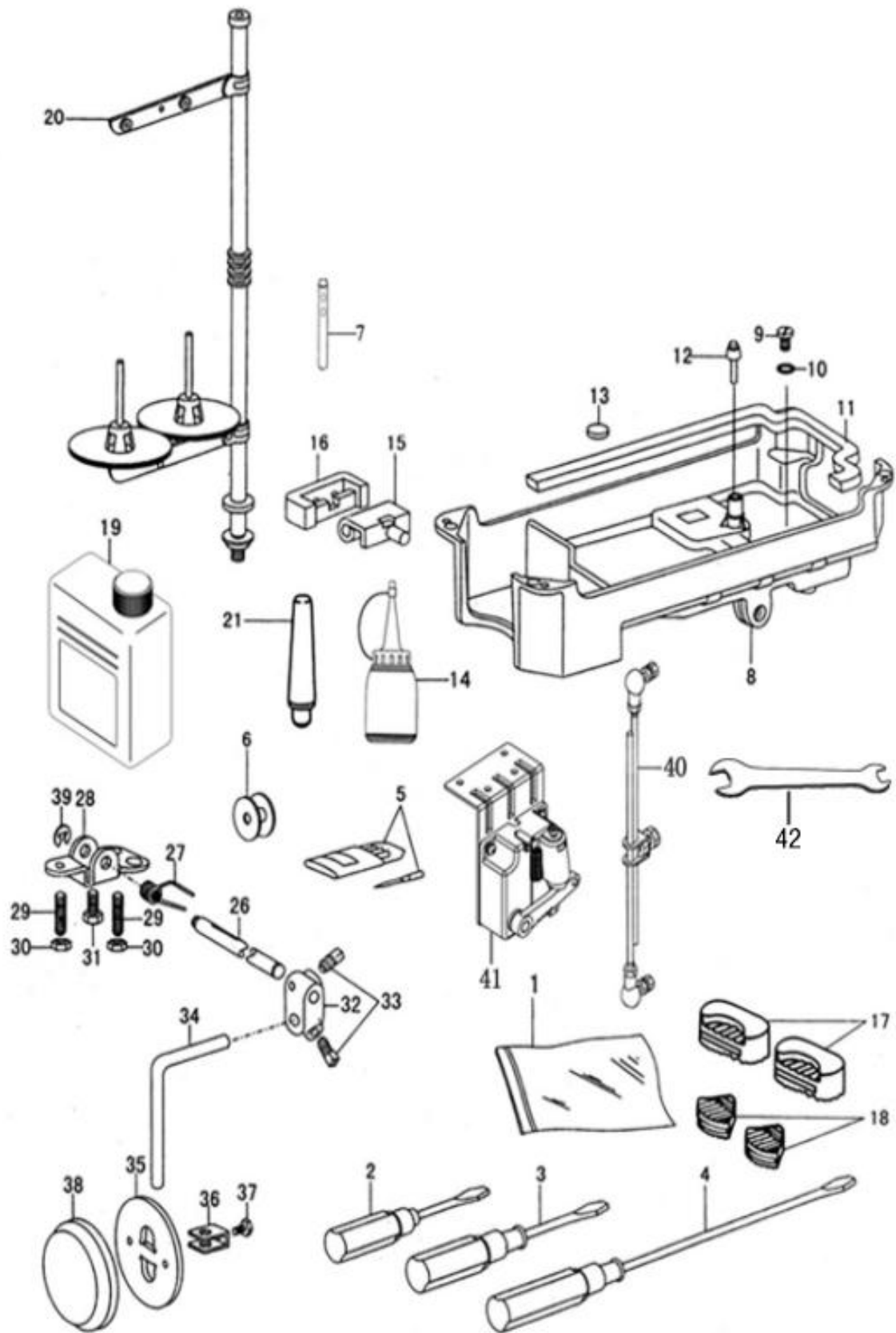
8. 开关组件/Switch components



8.开关组件/Switch components

序号 NO	公司件号 Part NO	名称 Part Name	零件描述 Description	数量 Number		
				CZ	CZZ	CZ-1
1	1473000900	LED 灯开关组件	Switch assembly	1	1	1
2	101s11004	螺钉 SM3/16"X28 X7	Screw SM3/16"X28 X7	1	1	1
3	40511001	塑料线夹	Clamps	2	2	2
4	101S11005	螺钉 SM9/64×40×6	Screw SM9/64×40×6	1	1	1
5	101s11004	螺钉 SM3/16"X28 X7	Screw SM3/16"X28 X7	2	2	2
6	302662	倒缝电磁铁盖板	Backstitch solenoid cover	1	1	1
7	301S11011	螺钉 SM11/64"X40	Screw SM11/64"X40	4	4	4
8	13628009	倒缝电磁铁罩垫片	Seals	1	1	1

9. 附件/Oil Reservoir Accessories



9.附件/Oil Reservoir Accessories						
序号 NO	公司件号 Part NO	名称 Part Name	零件描述 Description	数量 Number		
				CZ	CZZ	CZ-1
1	114131001	防尘罩	Machine head cover	1	1	1
2	10131004	螺钉起子(小)	Screw driver(small)	1	1	1
3	10131003	螺钉起子(中)	Screw driver(middle)	1	1	1
4	20731047	螺钉起子(大)	Screw driver(large)	1	1	1
5	13517001	机针	Needle	4	4	4
6	10818501	梭芯	Bobbin	5	5	5
7	11212001	过线柱	Needle bar crank	1	1	1
8	13501007	油盘	Oil reservoir	1	1	1
9	101S11028	放油螺钉 SM5/16×24×7	Screw SM5/16×24×7	1	1	1
10	001047	放油螺钉垫圈	Washer	1	1	1
11	13523006	油盘垫	Gasket	1	1	1
12	13511006	膝控提升顶杆	Knee press lifter rod	1	1	1
13	10131001	磁块	Magnet	1	1	1
14	20131038	小油壶	Oil pot	1	1	1
15	10122060	机壳铰链	Rubber coat	2	2	2
16	1011203100	机壳铰链套	Hing	2	2	2
17	113522001	机头防震垫块(大)	Cushion(big)	2	2	2
18	10122022	机头防震垫块(小)	Cushion(small)	2	2	2
19	1011101200	油箱	Oil tank	1	1	1
20	1383100300	线架组件	Spool stand complete	1	1	1
21	10111011	机头支柱	Frame support bar	1	1	1
26	13502025	膝控铰链轴	Hinge pin	1	1	1
27	13527014	膝控复位弹簧	Spring	1	1	1
28	13512026	膝控限位架	Knee lifter stop bracket	1	1	1
29	135S15019	膝控限位调节螺钉	Screw	2	2	2
30	N01029	调节螺母	Nut	2	2	2
31	135S12003	膝控限位架螺钉	Screw	1	1	1
32	10101008	碰块弯杆接头	Connector	1	1	1
33	101s12003	碰块弯杆接头螺钉	Screw	2	2	2
34	10112028	膝控碰块弯杆	Bent rod	1	1	1
35	10112029	膝控碰块	Bell	1	1	1
36	10112030	碰块架	Bell bracket	1	1	1
37	101s12004	碰块架螺钉	Screw	1	1	1
38	10122024	碰块垫	Pat	1	1	1
39	H05011	开口挡圈	Split stop ring	1	1	1
40	20730335	脚踏连杆	Pedal connecting rod	1	1	1
41	10130044	电控脚踏	Electric control pedal	1	1	1
42	114712003	开口扳手(14-10)	open wrench	1	1	1