

CASB WIT  
ISO9001 认证



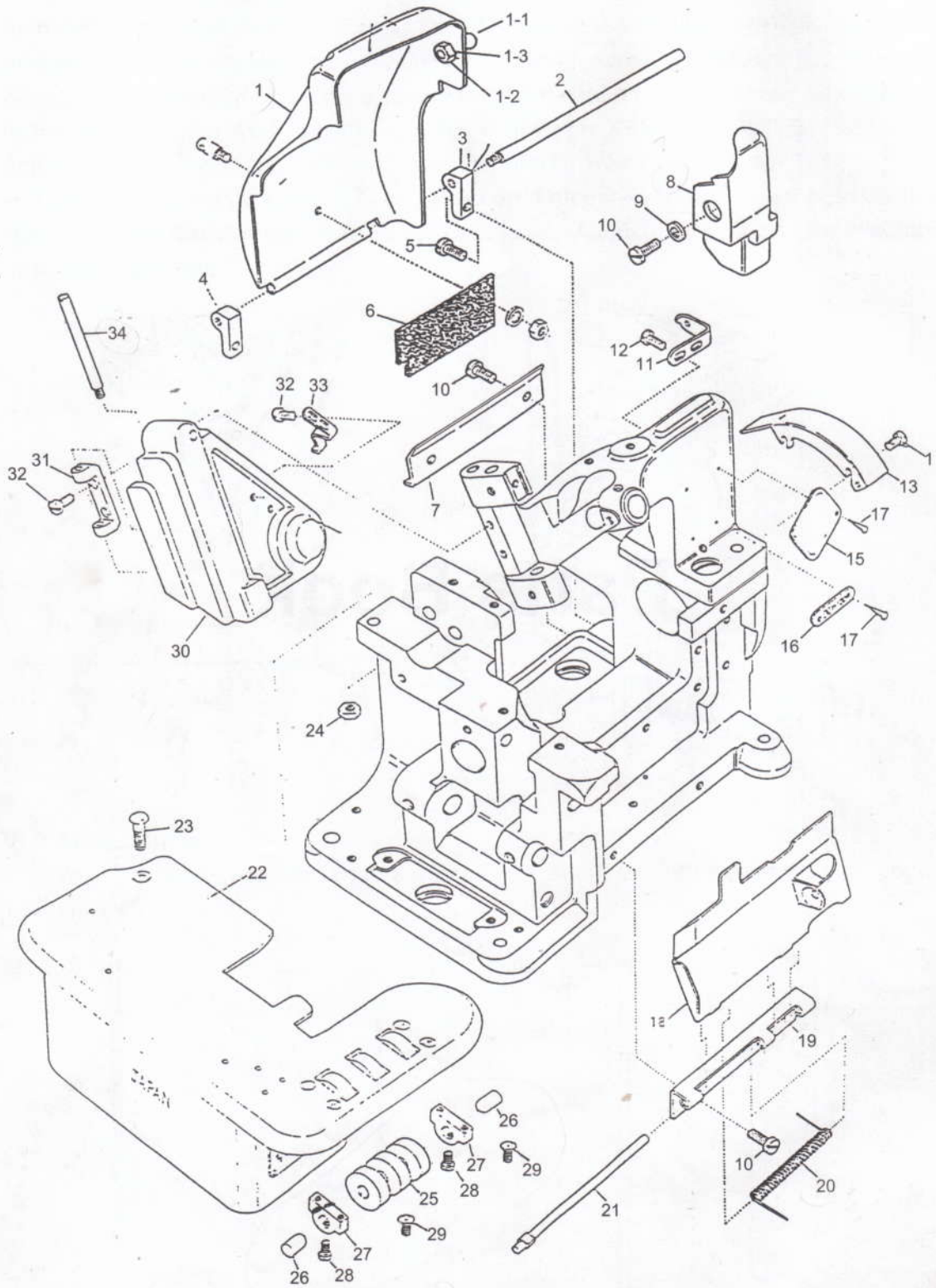
**JK-T109**

**User Guide**

**产品使用说明书**

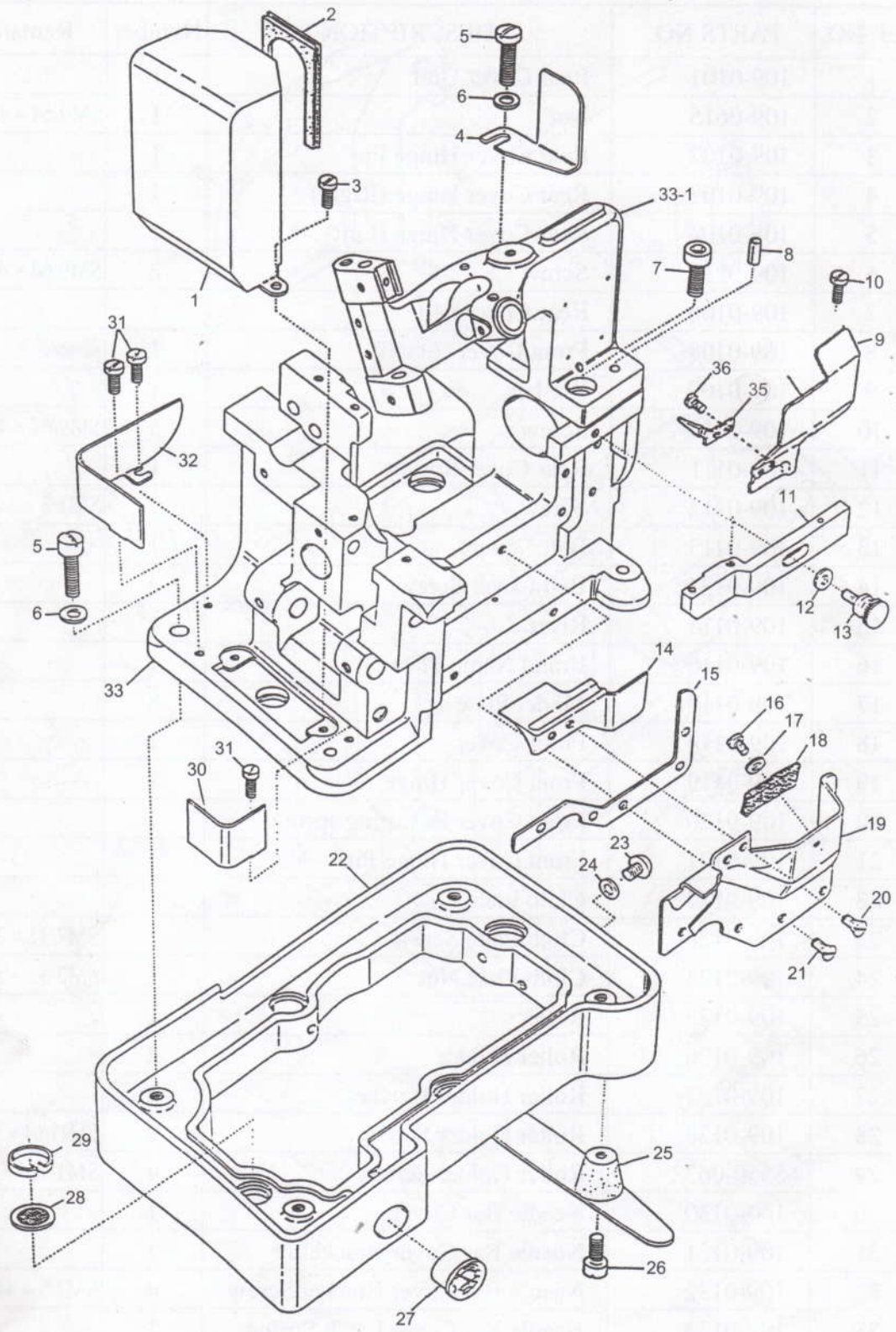
**杰克缝纫机**  
JACK SEWING MACHINE

JACK HOLDING GROUP | [WWW.JACKGROUP.COM.CN](http://WWW.JACKGROUP.COM.CN) |



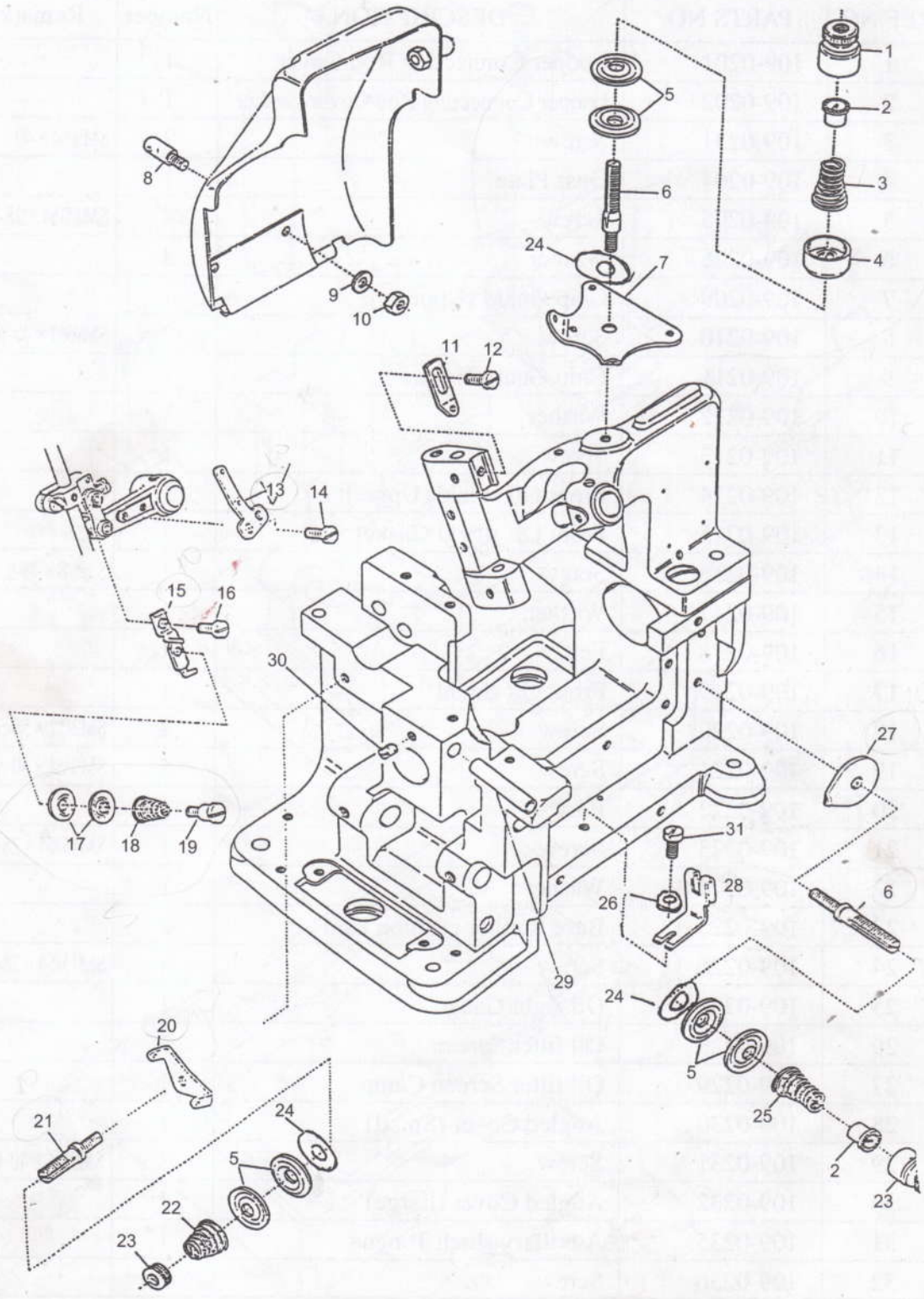
## 一、Cover Assenblies

REF NO.	PARTS NO.	DESCRIPTION	Number	Remarks
1	109-0101	Rear Cover Unit	1	
2	109-0615	Nut	1	SM9/64 × 40
3	109-0102	Rear Cover Hinge Pin	1	
4	109-0103	Rear Cover Hinge (Right)	1	
5	109-0104	Rear Cover Hinge (Left)	1	
6	109-0210	Screw	2	SM9/64 × 40
7	109-0106	Rear Cover Felt	1	
8	109-0108	Front Cover (Fixed)	1	
9	109-0109	Washer	1	
10	109-0110	Screw	5	SM9/64 × 40-12
11	109-0111	Rear Cover Spring	1	
12	109-0112	Screw	2	SM1/8 × 44-9
13	109-0113	Belt Cover	1	
14	109-0132	Belt Cover Screw	2	
15	109-0115	Rivet	1	
16	109-0116	Brand Name Plate	1	
17	109-0117	Model Plate	5	
18	109-0118	Front Cover	1	
19	109-0119	Front Cover Hinge	1	
20	109-0120	Front Cover Restoring spring	1	
21	109-0121	Front Cover Hinge Pin	1	
22	109-0122	Cloth Plate	1	
23	109-0123	Cloth Plate Screw	1	SM7/32 × 32-18
24	109-0124	Cloth Plate Nut	1	SM7/32 × 18
25	109-0125	Roller	1	
26	109-0126	Roller Holder	2	
27	109-0127	Roller Holder Bracket	2	
28	109-0128	Roller Holder Screw	2	SM11/64 × 40-6.5
29	5550-0632	Roller Holder Screw	4	SM11/64 × 40-9
30	109-0130	Needle Bar Cover	1	
31	109-0131	Needle Bar Cover Bracket	1	
32	109-0132	Needle Bar Cover Bracket Screw	4	SM1/8 × 44-7.5
33	109-0133	Needle Bar Cover Latch Spring	1	
34	109-0134	Needle Bar Cover Pin	1	



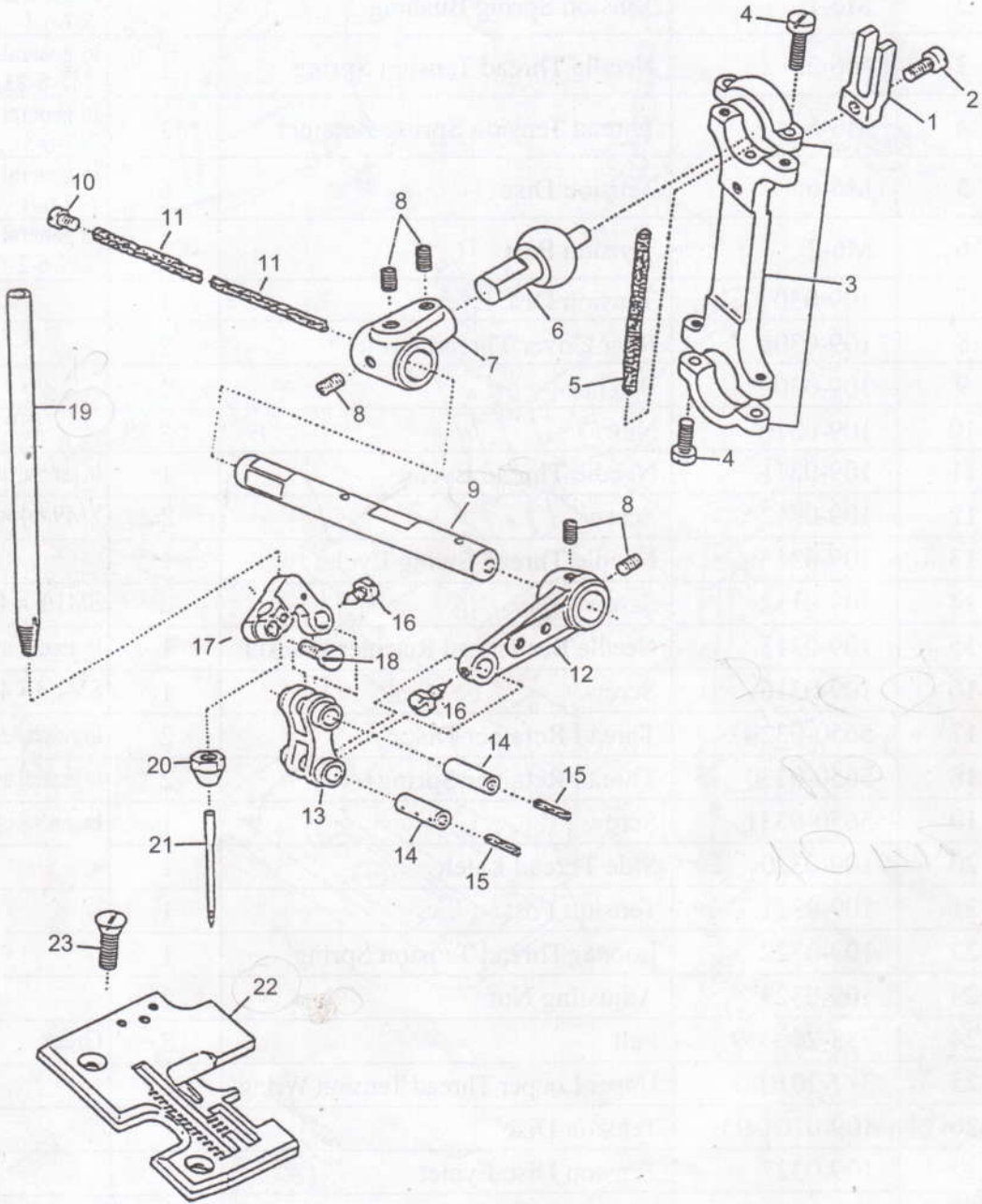
## 二、 Frame Assemblies

REF NO.	PARTS NO.	DESCRIPTION	Number	Remarks
1	109-0201	Looper Connecting Rod Cover	1	
2	109-0202	Looper Connecting Rod Cover Gasket	1	
3	109-0231	Screw	2	SM9/64 × 40
4	109-0204	Dusr Plate	1	
5	109-0205	Screw	4	SM15/64 × 28-25
6	109-0206	Washer	3	
7	109-0209	Chip Guard (Upper)	1	
8	109-0210	Screw	2	SM9/64 × 40-10
9	109-0211	Chip Guard Holder	1	
10	109-0212	Washer	1	
11	109-0213	Screw	1	
12	109-0214	Front Oil shield (Upper)	1	
13	109-0215	Front Oil shield Gasket	1	
14	109-0216	Screw	1	SM1/8 × 48-6
15	109-0217	Washer	1	
16	109-0218	Felt	1	
17	109-0219	Front Oit shield	1	
18	109-0220	Screw	2	SM3/32 × 56-5
19	109-0221	Screw	5	SM9/64 × 40
20	109-0222	Base	1	
21	109-0223	Screw	1	SM15/64 × 28-17
22	109-0224	Washer	1	
23	109-0225	Base Rubber cushion Unit	2	
24	109-0226	Screw	4	SM15/64 × 28-13.5
25	109-0227	Oil sight Gauge	1	
26	109-0228	Oil filter Screen	1	
27	109-0229	Oil filter Screen Camp	1	
28	109-0230	Angled Cover (Small)	1	
29	109-0231	Screw	3	SM9/64 × 40-10
30	109-0232	Angled Cover (Large)	1	
31	109-0235	Auxiliary stitch Tongue	1	
32	109-0236	Screw	2	



### 三、 Thread Guide Assemblies

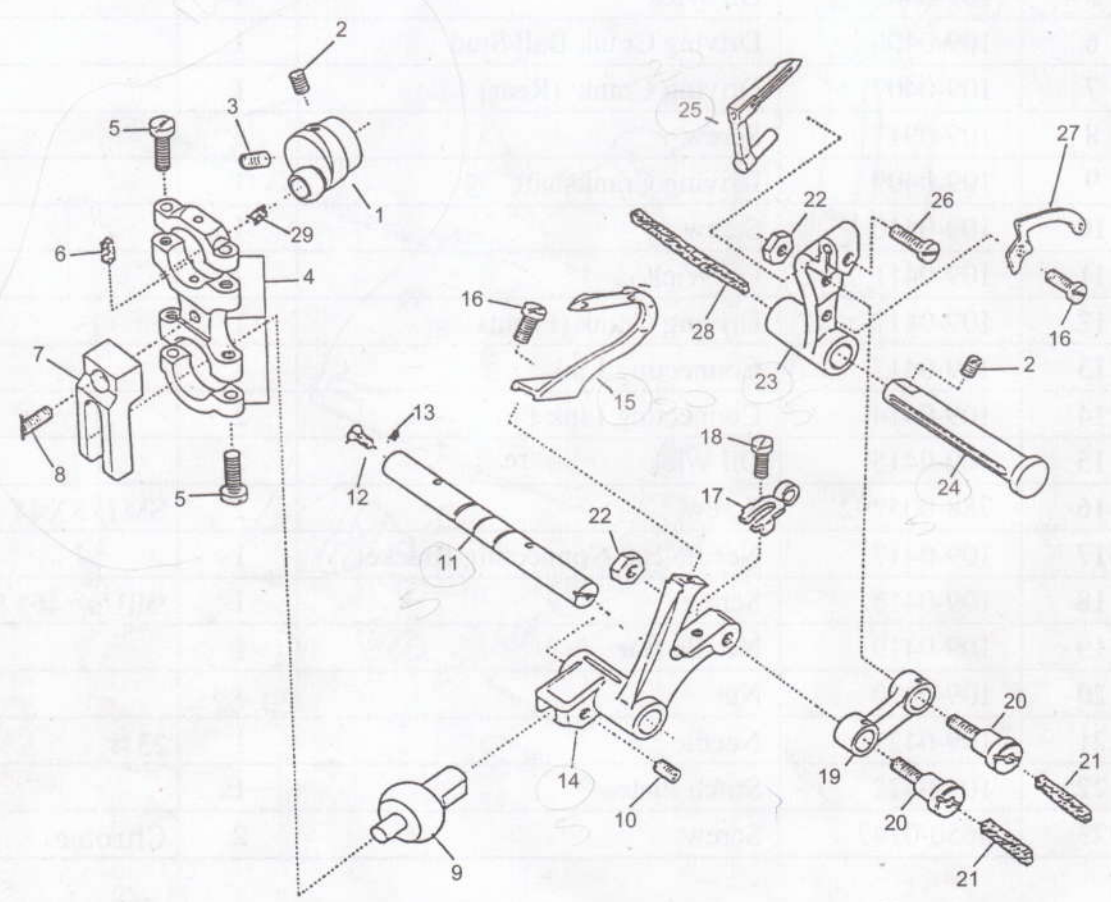
REF NO.	PARTS NO.	DESCRIPTION	Number	Remarks
1	M6-3	Thread Tension Spring Cap	1	In general use 747-6-3
2	M6-1	Tension Spring Bushing	2	In general use 747-6-1
3	M6-23	Needle Thread Tension Spring	1	In general use 747-6-23
4	M6-5	Thread Tension Spring Retainer	1	In general use 747-6-5
5	M6-6	Tension Disc	6	In general use 747-6-6
6	M6-2	Tension Post	1	In general use 747-6-2
7	109-0307	Tension Disc Eyelet	1	
8	109-0308	Rear Cover Thread Eyelet	2	
9	109-0309	Washer	2	
10	109-0310	Nut	2	
11	109-0311	Needle Thread Eyelet	1	In general use 816
12	109-0312	Screw	2	SM9/64 × 40-8
13	109-0313	Needle Thread Swing Eyelet	1	
14	109-0132	Screw	2	SM1/8 × 40-7.5
15	109-0315	Needle Bar Thread Retainer Bracket	1	In general use 816
16	109-0316	Screw	1	SM1/8 × 44-5.5
17	5650-0329	Thread Retainer Disc	2	In general use 5650
18	5650-0330	Thread Retainer Spring	2	In general use 5650
19	5650-0331	Screw	1	In general use 5650
20	109-0320	Side Thread Latch	1	
21	109-0321	Tension Post	1	
22	109-0322	Looper Thread Tension Spring	1	
23	109-0323	Adjusting Nut	2	
24	788-209449	Felt	3	Green
25	777-201037	Upper Looper Thread Tension Wring	1	
26	109-0101-03	Tension Disc	1	
27	109-0327	Tension Disc Eyelet	1	
28	109-0328	Thread Take-Up Eyelet	1	
29	109-0329	Lower Looper Thread Pipe	1	
30	109-0907	Screw	1	
31	109-0231	Screw	2	SM9/64 × 40-10





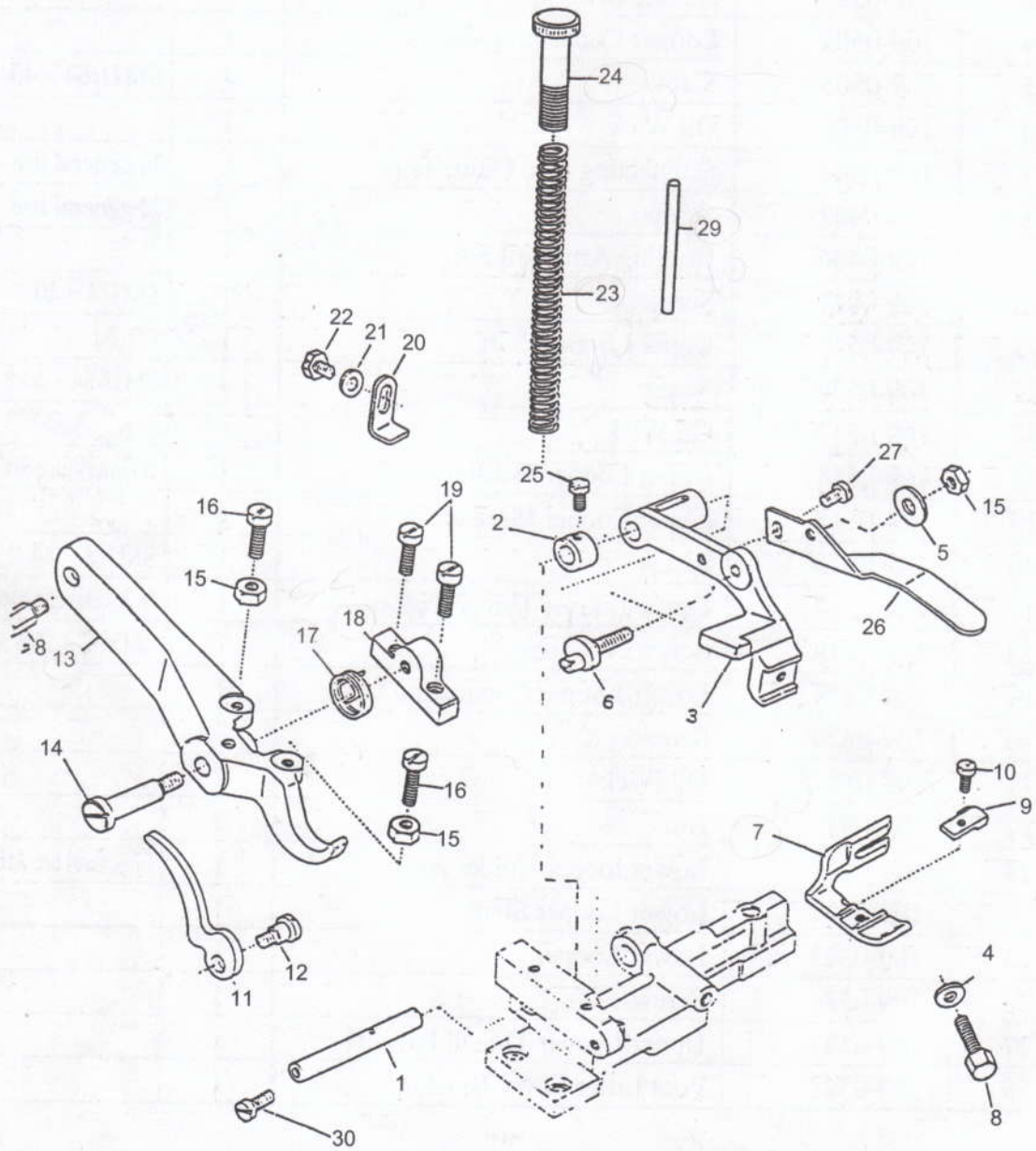
#### 四、 Needle Bar Assemblies

REF NO.	PARTS NO.	DESCRIPTION	Number	Remarks
1	109-0507	Connecting Rod Guide Fork	1	
2	109-0402	Screw	1	SM9/64 × 40-12
3	109-0403	Needle Bar Connecting Rod	1	
4	109-0404	Screw	4	
5	109-0405	Oil Wick	1	
6	109-0406	Driving Crank Ball Stud	1	
7	109-0407	Driving Crank (Rear)	1	
8	109-0917	Screw	5	
9	109-0409	Driving Crankshaft	1	
10	109-0410	Screw	1	
11	109-0411	Oil Wick	2	
12	109-0412	Driving Crank (Front)	1	
13	109-0413	Connecting Link	1	
14	109-0414	Connecting Link Pin	2	
15	109-0415	Oil Wick	2	
16	788-005292	Screw	2	SM1/8X44
17	109-0417	Needle Bar Connecting Bracket	1	
18	109-0418	Screw	1	SM11/64 × 44-8.5
19	109-0419	Needle Bar	1	
20	109-0420	Nut	1	
21	109-0421	Needle	1	23#
22	109-0422	Stitch Plate	1	
23	5650-0142	Screw	2	Chrome



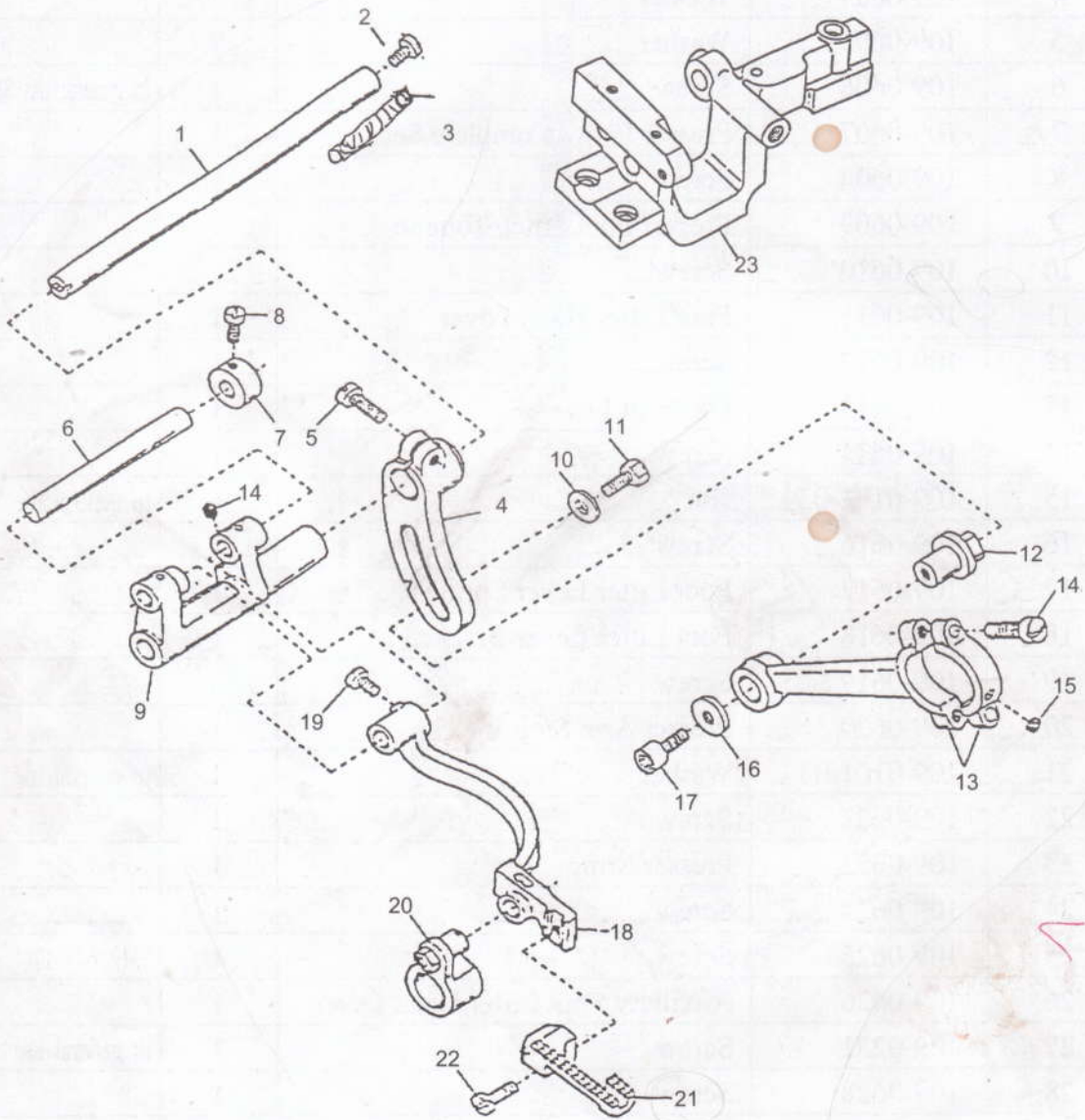
## 五、 Looper Assemblies

REF NO.	PARTS NO.	DESCRIPTION	Number	Remarks
1	109-0501	Presser Arm Hinge Stud	1	
2	109-0917	Screw	2	SM1/4 × 40-7
3	109-0503	Presser Arm	1	
4	109-0504	Looper Connecting Rod	1	
5	109-0505	Screw	4	SM11/64 × 40
6	109-0506	Oil Wick	1	
7	109-0401	Connecting Rod Guide Fork	1	In general use
8	109-0402	Screw	1	In general use
9	109-0406	Holding Arm Ball Stud	1	
10	109-0917	Screw	1	SM1/4 × 40-7
11	109-0511	Upper Looper shaft	1	Ø7.24
12	109-0630	Screw	2	SM11/64 × 40-8
13	109-0513	Oil Wick	1	
14	109-0514	Upper Looper Holding Arm	1	In general use 816
15	109-0515	Upper Looper (Spreader)	1	
16	109-0516	Screw	1	SM1/8 × 44-8
17	109-0517	Upper Looper Thread Pull-off	1	In general use 816
18	109-0518	Screw	1	SM3/32 × 56-6.5
19	109-0519	Lower Looper Connecting Link	1	
20	109-0520	Screw	2	
21	109-0521	Oil Wick	2	
22	109-0522	Nut	2	
23	109-0523	Lower looper Holder Arm	1	In general use 816
24	109-0524	Lower Looper Shaft	1	
25	109-0525	Lower Looper	1	
26	109-0526	Screw	1	
27	109-0527	Upper Looper Thread Pull-off	1	
28	109-0528	Foot Lifter Lever Bracket	1	



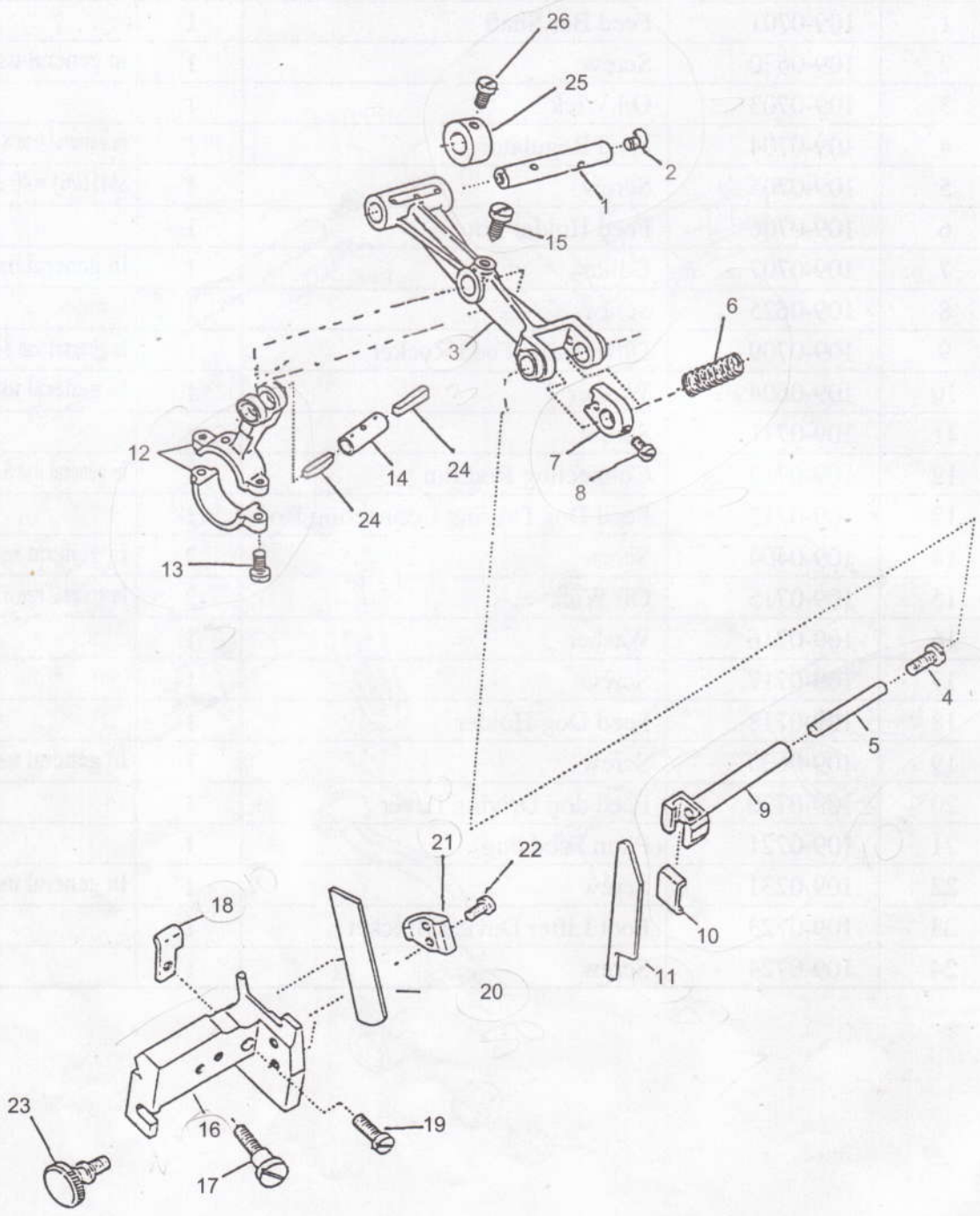
## 六、 Presser Foot Assemblies

REF NO.	PARTS NO.	DESCRIPTION	Number	Remarks
1	109-0601	Presser Arm Hinge Pin	1	
2	109-0602	Collar	1	φ 7.94mm
3	109-0603	Presser Arm	1	In general use 816
4	109-0604	Washer	1	
5	109-0605	Washer	2	
6	109-0606	Screw	1	In general use 816
7	109-0607	Presser Foot , Complete Set	1	
8	109-0608	Screw	1	
9	109-0609	Presser Foot Stitch Tongue	1	
10	109-0610	Screw	1	
11	109-0611	Foot Lifter Hand Lever	1	
12	109-0612	Screw	1	
13	109-0613	Foot Lift Lever	1	
14	109-0614	Screw	1	
15	109-0101-02	Nut	4	In general use
16	109-0616	Screw	2	
17	109-0617	Foot Lifter Lever Spring	1	
18	109-0618	Foot Lifter Lever Bracket	1	
19	109-0619	Screw	2	
20	109-0620	Presser Arm Stop	1	
21	109-0101-03	Washer	1	In general use
22	109-0622	Screw	1	
23	109-0623	Presser Spring	1	
24	109-0624	Screw	1	
25	109-0625	Screw	1	SM9/64 × 40
26	109-0626	Auxiliary Foot Lifter Hand Lever	1	
27	109-0231	Screw	1	In general use
28	109-0628	Screw	1	
29	109-0629	Presser Foot Positioning Pin	1	
30	109-0630	Screw	1	SM11/64 × 40-18



## 七、 Feed Assemblies

REF NO.	PARTS NO.	DESCRIPTION	Number	Remarks
1	109-0701	Feed Bar Shaft	1	
2	109-0630	Screw	1	In general use
3	109-0703	Oil Wick	1	
4	109-0704	Feed Regulator	1	In general use 816
5	109-0705	Screw	1	SM11//64 × 40-15
6	109-0706	Feed Holder Pin	1	
7	109-0707	Collar	1	In general use
8	109-0625	Screw	1	
9	109-0709	Differential Feed Rocker	1	In general use 816
10	109-0604	Washer	1	In general use
11	109-0711	Screw	1	
12	109-0712	Connecting Rod Pin	1	In general use 816
13	109-0713	Feed Dog Driving Connecting Rod	1	
14	109-0404	Screw	2	In general use
15	109-0715	Oil Wick	2	In general use 816
16	109-0716	Washer	1	
17	109-0717	Screw	1	
18	109-0718	Feed Dog Holder	1	
19	109-0630	Screw	1	In general use
20	109-0720	Feed dog Driving Lever	1	
21	109-0721	Plain Feed dog	1	
22	109-0231	Screw	1	In general use
23	109-0723	Foot Lifter Device Bracket	1	
24	109-0724	Screw	1	

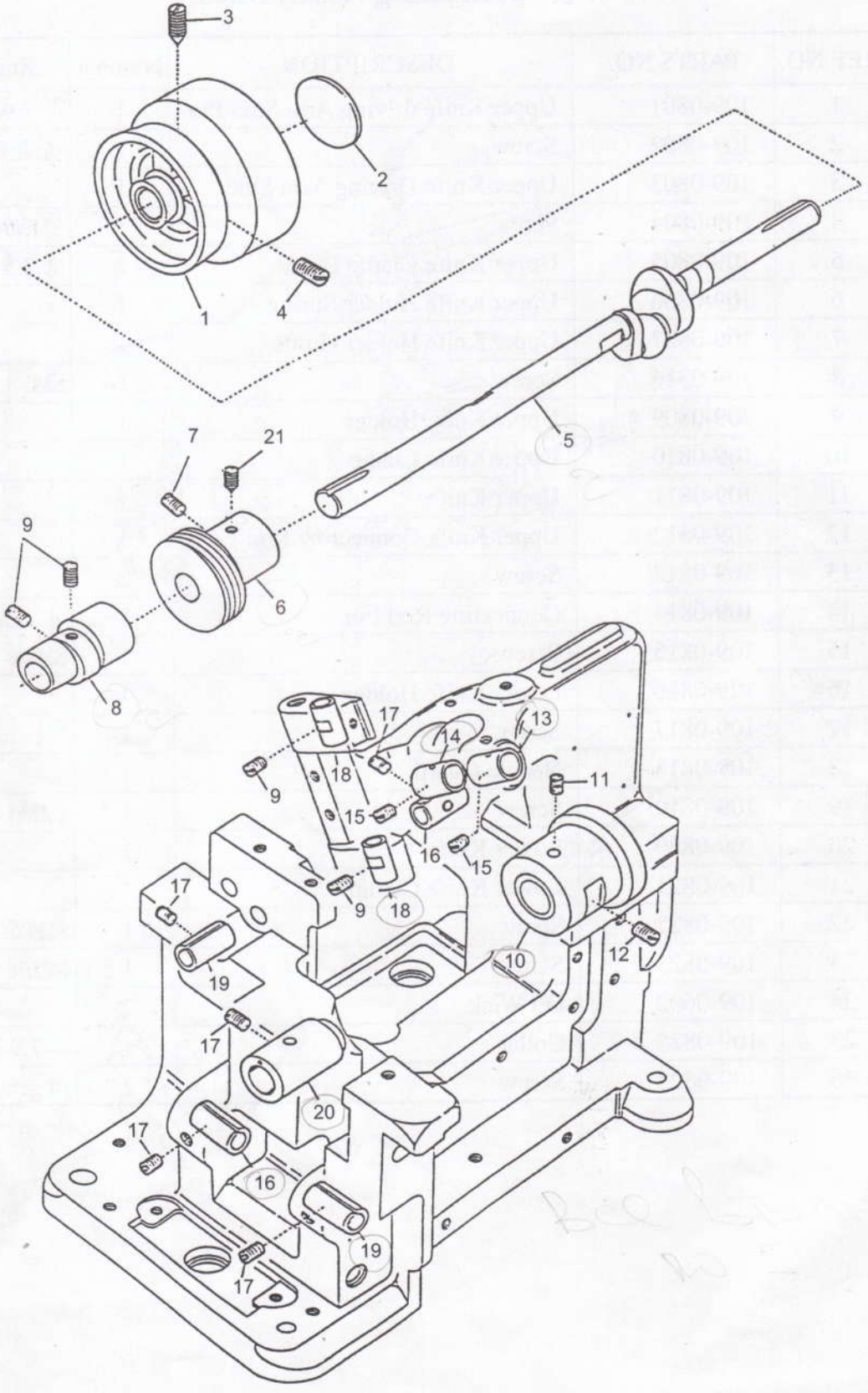




## 八、Trimming Assemblies

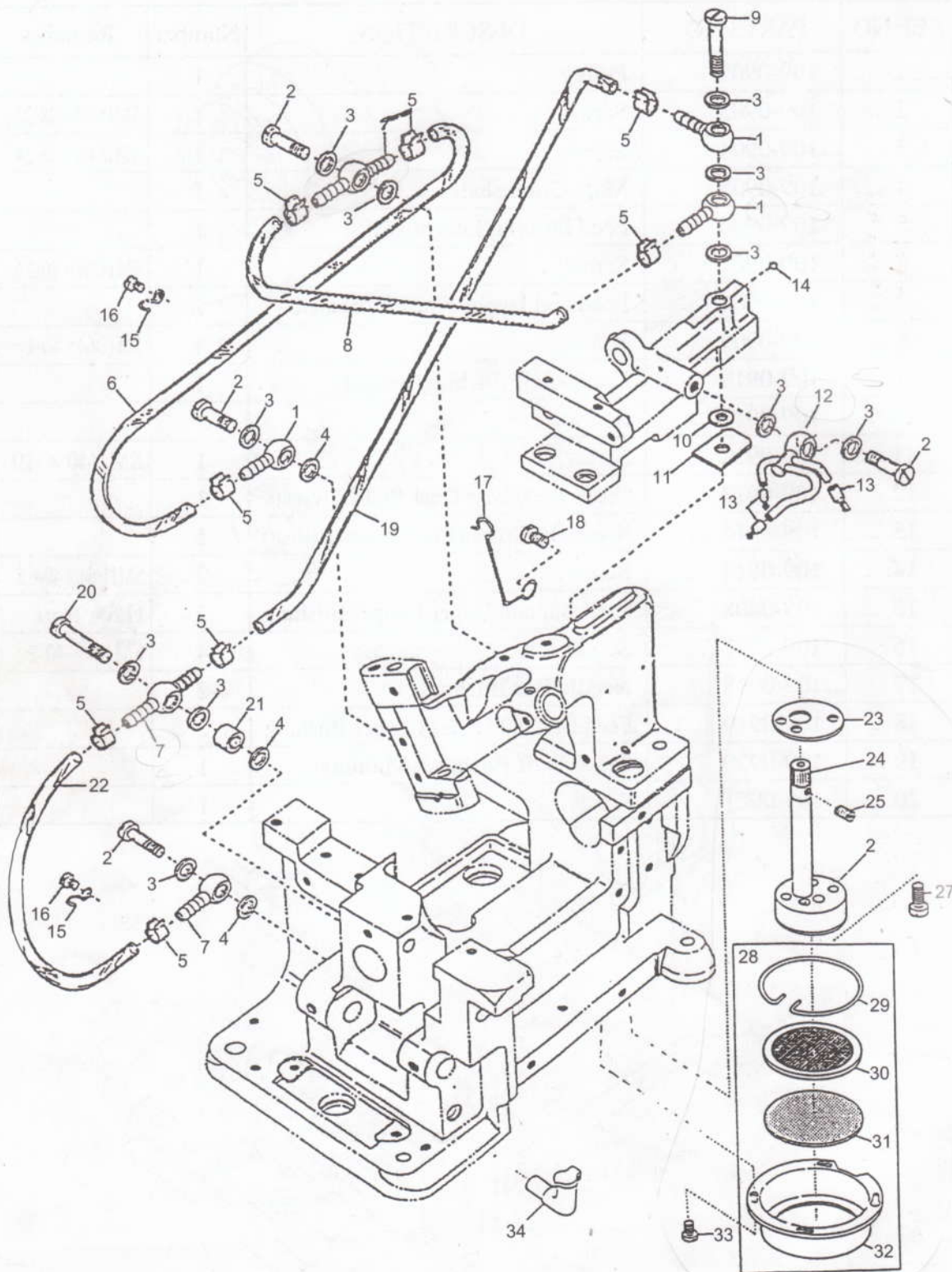
REF NO.	PARTS NO.	DESCRIPTION	Number	Remarks
1	109-0801	Upper Knife driving Arm Stud Pin	1	φ 7.94mm
2	109-0802	Screw	1	无此件
3	109-0803	Upper Knife Driving Arm Stud	1	
4	109-0804	Screw	1	SM9/64 × 40-19
5	109-0805	Upper Knife Clamp Pin	1	φ 2.5 × 32
6	109-0806	Upper Knife Holder Spring	1	
7	109-0807	Upper Knife Holder Guide	1	
8	109-0316	Screw	1	SM1/8 × 44-7.5
9	109-0809	Upper Knife Holder	1	
10	109-0810	Upper Knife Clamp	1	
11	109-0811	Upper Knife	1	
12	109-0812	Upper Knife Connecting Rod	1	
13	109-0813	Screw	2	
14	109-0814	Connecting Rod Pin	1	φ 7.2mm
15	109-0815	Screw	1	SM9/64 × 40-10
16	109-0816	Lower Knife Holder	1	
17	109-0817	Screw	1	SM3/16 × 32-22
18	109-0818	Needle Guard	1	
19	109-0819	Screw	1	SM9/64 × 40-12.5
20	109-0820	Lower Knife	1	
21	109-0821	Lower Knife Clamp	1	
22	109-0822	Screw	1	SM9/64 × 40-12
23	109-0823	Screw	1	SM3/16 × 28-27.5
24	109-0602	Oil Wick	2	
25	109-0825	Collar	1	φ 7.94mm
26	109-0625	Screw	2	In general use

9



## 九、 Main Shaft Assemblies

REF NO.	PARTS NO.	DESCRIPTION	Number	Remarks
1	109-0901	Pulley	1	
2	109-0903	Screw	1	SM15/64 × 28-22
3	109-0904	Screw	1	SM15/64 × 28-24
4	109-0905	Main Crankshaft	1	
5	109-0906	Feed Driving Eccentric	1	
6	109-0907	Screw	1	SM11/64 × 40-3.5
7	109-0908	Feed and Upper Knife Eccentric	1	
8	109-0909	Screw	4	SM11/64 × 40-4
9	109-0910	Crankshaft Bushing (ringht)	1	
10	109-0911	Screw	1	
11	109-0912	Screw	1	SM1/40 × -10
12	109-0913	Needle Bar Driving Crank Bushing (Front)	1	
13	109-0914	Needle Bar Driving Crank Bushing (Rear)	1	
14	109-0915	Screw	2	SM11/64 × 40-6.5
15	109-0408	Feed Bar and Upper Looper Bushing	2	Have Bore
16	109-0917	Screw	4	SM1/4 × 40-7
17	109-0918	Needle Bar Bushing	2	
18	109-0919	Feed Bar and Upper Looper Bushing	2	
19	109-0920	Crankshaft Bushing (Middle)	1	
20	109-0921	Screw	1	



## 十、Lubrication Assemblies

REF NO.	PARTS NO.	DESCRIPTION	Number	Remarks
1 5	109-1001	Oil Tube Fitting One Way End	4	
2	109-1002	Oil Tube Fitting Stud	4	SM1/4 × 40-17.5
3	109-1003	Seal	11	
4	109-1004	Seal	3	
5	109-1005	Oil Tube Clamp	8	
6	109-1006	Oil Tube	1	
7 5	109-1007	Oil Tube Fitting Two Way	2	
8	109-1008	Oil Tube	1	
9	109-1009	Oil Tube Fitting Stud	1	SM1/4 × 40-24.5
10	109-1010	Seal	1	
11	109-1011	Oil Tube Joint Holder Gasket	1	
12 5	109-1012	Oil Focal Point	1	
13	109-1013	Oil Cap	3	
14	109-1014	Seal Plug	1	
15	109-1015	Oil Tube Holder (Small)	2	
16	109-0112	Screw	2	SM1/8 × 40-9
17	109-1017	Oil Tube Holder (Large)	1	
18	109-0312	Screw	1	SM9/64 × 40-10
19	109-1019	Oil Tube	1	
20	109-1020	Screw	1	SM1/4 × 40-47
21	109-1021	Oil Tube Joint Ring	1	
22	109-1022	Oil Tube	1	
23	109-1023	Oil Pump Gasket	1	
24	109-1024	Worm Gear	1	
25	109-1025	Screw	1	
26	109-1026	Oil Pump, Complet Set	1	
27	109-1027	Screw	2	SM11/64 × 40-26
28	109-1028	Pump Filter Screen, C.Set	1	
29	109-1029	Pump Filter Screen Clamp	1	
30	109-1030	Pump Filter Screen (Fine Mesh)	1	
31	109-1031	Pump Filter Screen (Coarse Mesh)	1	
32	109-1032	Pump filter Case	1	
33	109-1033	Screw	4	SM9/64 × 40-7
34	109-1034	Oil Cup	1	